

6

5

4

3

2

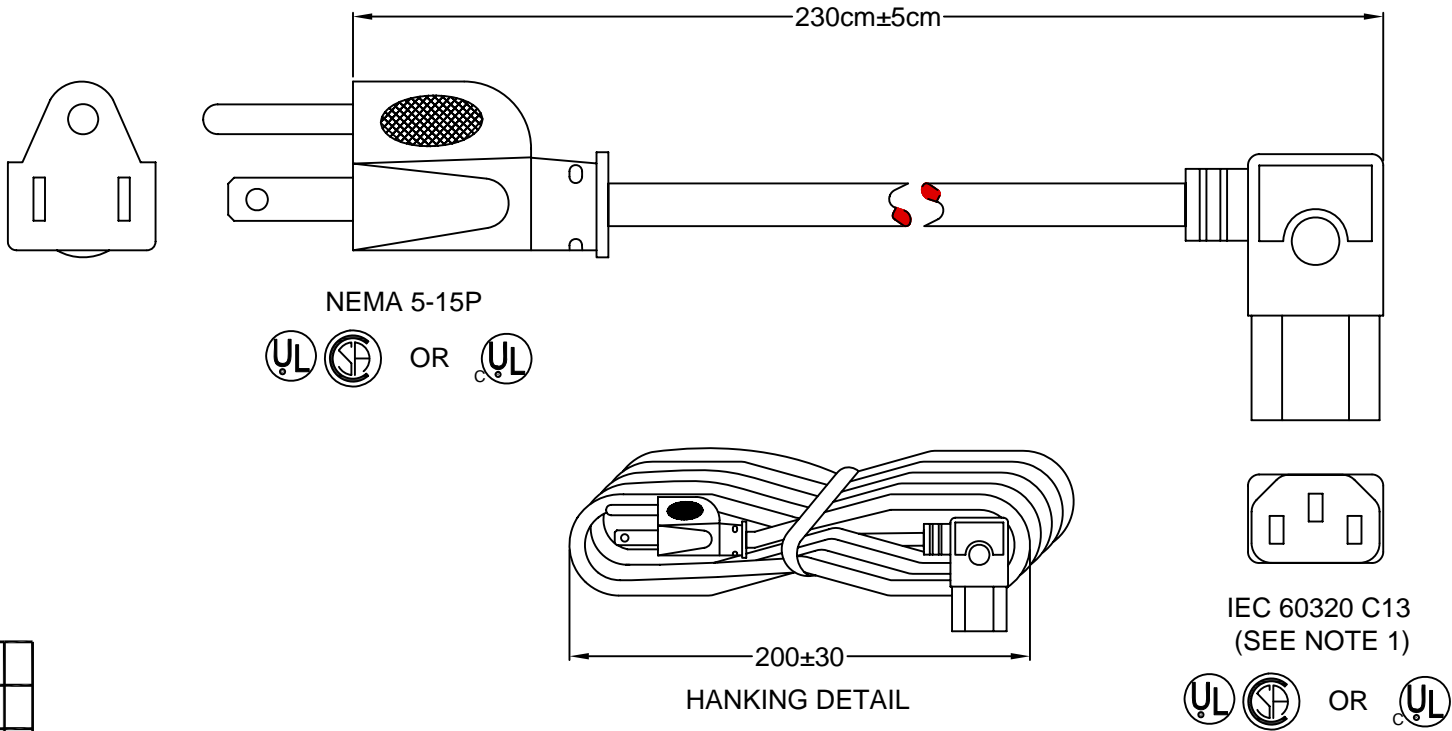
1

### CABLE SPECIFICATIONS

DESCRIPTION	COLOR CODE	NOMINAL O.D.	OVERALL RATING	COLOR	APPROVAL
18/3 SVT 105°C, VW-1	NORTH AMERICAN	6.3	10A 125V	BLACK	UL CSA OR UL

#### NOTES:

1. IEC 60320 C13 CONNECTOR MUST PASS 7.0 LBS MIN. RETENTION FORCE TEST.



**RoHS  
COMPLIANT**

REV	DATE	CHANGE	CHNG		CHKD		APPR	
			BY	DATE	BY	DATE	BY	DATE
A	10/98	REVISED / REDRAWN	AH		LFH		SS	
B	12/18/96	UPDATED DRAWING	PB		TD		JJ	
C	6/9/00	ADD PACKAGING SPECS	TD		JJ		SS	
D	6/7/01	ADD 105°C & PDI MARK'G	TD		PB			
E	12/13/01	REVISED / UPDATED	GQ		PB			
F	12/14/04	ADD NOTE	PB					

TOLERANCE IN MM UNLESS OTHERWISE SPECIFIED	
> 1000	± 50
≤ 1000	± 30
STRIPPED LENGTH	± 2
DRAWN BY	TM
DATE:	10/16/98
CHECK BY	AH
DATE:	10/16/98
APPR BY	SS
DATE:	10/16/98

**Power Dynamics, Inc.**  
 Phone: 973-560-0019 Whippany, New Jersey Fax: 973-560-0076

PART: AMERICAN CORD SET, NEMA 5-15P  
 TO IEC 60320 C13, RIGHT HANDED

10084

SHEET 1 of 1

SCALE: NTS

ALL DIMENSIONS FOR REFERENCE ONLY  
 DIMENSIONS ARE IN MILLIMETERS

REV: F