

6

5

4




3

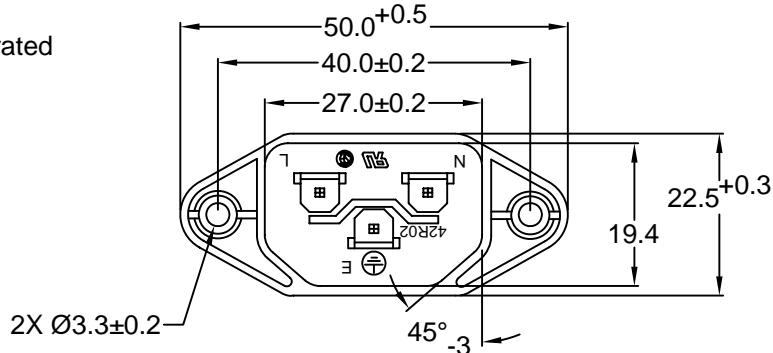
2

1

MATERIAL AND FINISH:
 Insulator: Polycarbonate, UL-94V-0 rated
 Contacts: Brass, Nickel plated

ELECTRICAL SPECIFICATIONS:

Current rating: 10 A 
 Voltage rating: 250 VAC
 Current rating: 15 A 
 Voltage rating: 250 VAC 



ORDERING CODE:

42R02-8
 1 2 3




1 = TERMINAL OPTIONS

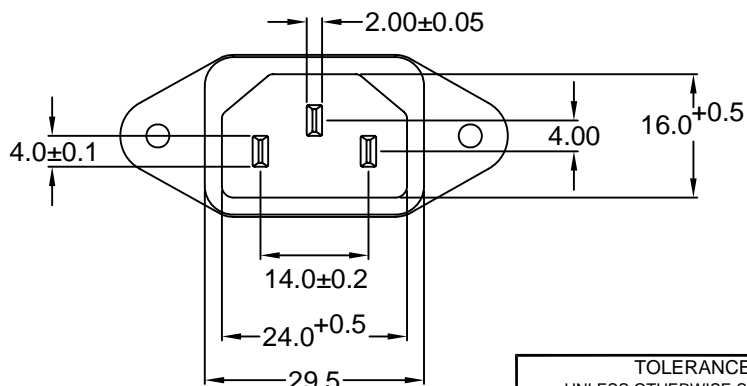
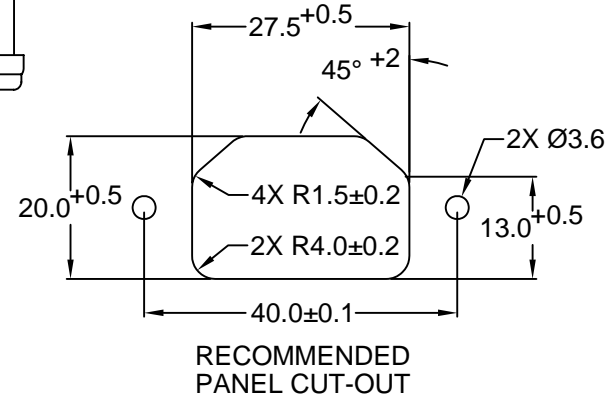
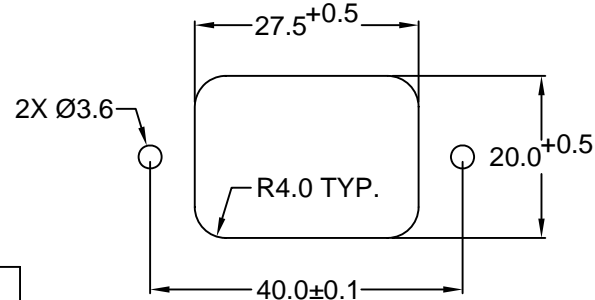
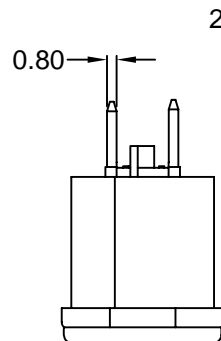
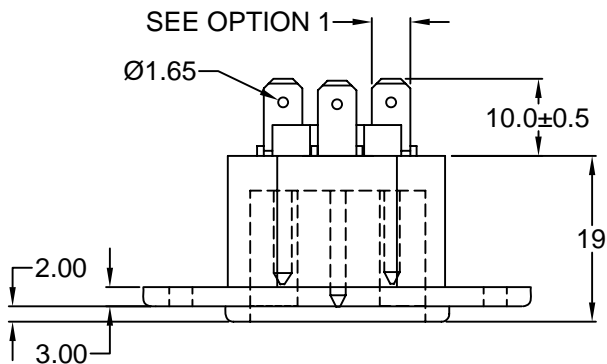
- 1 = .187(4.8)
- 2 = .250(6.3)

2 = COLOR

- 1 = BLACK
- 2 = GRAY

3 = ELECTRICAL CIRCUIT CONFIGURATION

- 1 = 15A 250V 120°C  2+GROUND
- 2 = 15A 250V 70°C  2+GROUND
- 4 = 15A 250V 70°C  2 POLE



**RoHS
COMPLIANT**

TOLERANCE UNLESS OTHERWISE SPECIFIED		
X ± 1		
X.X ± 0.4		
X.XX ± 0.20		
DRAWN BY	GQ	DATE: 8/7/01
CHECK BY	TD	DATE: 8/13/01
APPR BY	PB	DATE: 8/13/01

Power Dynamics, Inc.

Phone: 973 560-0019 Whippany, New Jersey Fax: 973 560-0076

PART: IEC 60320 C14 APPL. INLET; QUICK CONNECT
TERMINALS; SIDE FLANGE

42R02-8XXX SHEET 1 of 1

SCALE: NTS ALL DIMENSIONS FOR REFERENCE ONLY
DIMENSIONS ARE IN MILLIMETERS REV:

D

C

B

A

REVISIONS	CHNG	CHECK	APPR
	CHANGE		
	DATE		
	REV		

6

5

4

3

2

1