

6

5

4

3




2

1

MATERIAL AND FINISH:

Insulator: Polycarbonate, UL-94V-0 rated
Contacts: Brass, Nickel plated

ELECTRICAL SPECIFICATIONS:

Current rating: 10 A 
Voltage rating: 250 VAC
Current rating: 15 A 
Voltage rating: 250 VAC 

ORDERING CODE:

42R03-5 2
 1 2


1) COLOR

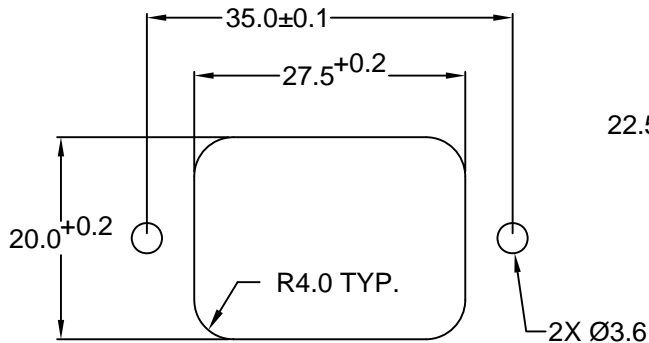
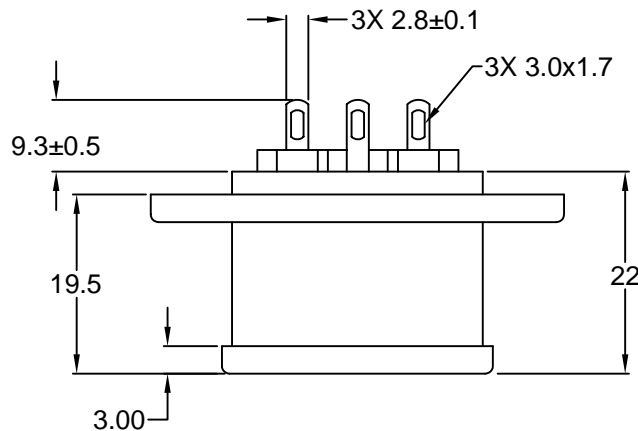
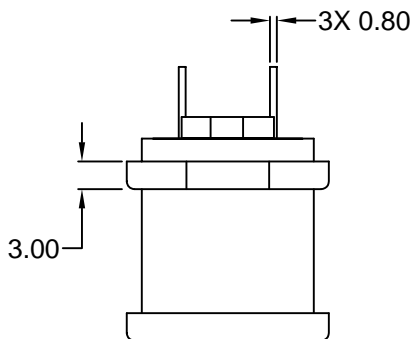
1 = BLACK
2 = GRAY

2) ELECTRICAL CIRCUIT CONFIGURATION

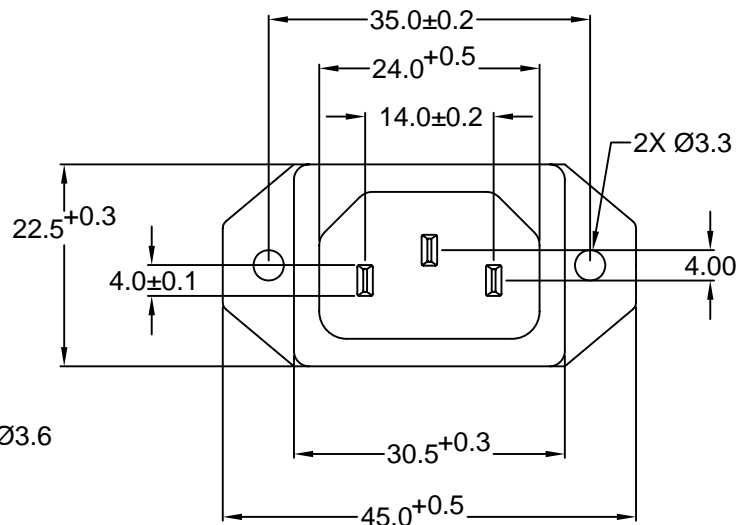
1 = 15A 250V 120°C 2+GROUND 

2 = 15A 250V 70°C 2+GROUND 

4 = 15A 250V 70°C 2 POLE 



RECOMMENDED PANEL CUTOUT



RoHS COMPLIANT

REVISIONS	CHANGE	CHNG	CHK	APPR
	DATE	1/8/10		
	REV	A		
	TERM. DIM.		PB	

TOLERANCE UNLESS OTHERWISE SPECIFIED			
X	± 1		
X.X	± 0.4		
X.XX	± 0.20		
DRAWN BY	GQ	DATE:	08/16/01
CHECK BY	TD	DATE:	08/20/01
APPR BY	PB	DATE:	08/21/01

Power Dynamics, Inc.
Phone: 973 560-0019 Whippany, New Jersey Fax: 973 560-0076

PART: IEC 60320 C14 APPL. INLET; SOLDER TERMINALS; BOTTOM FLANGE

PART #: 42R03-5X2X		SHEET 1 of 1
SIZE: A	ALL DIMENSIONS FOR REFERENCE ONLY	
SCALE: NTS	DIMENSIONS ARE IN MILLIMETERS	
	REV: A	