

6

5

4

3

2

1

MATERIAL AND FINISH:

Insulator: Polycarbonate, UL-94V-0 rated

Contacts: Brass, Nickel plated

ELECTRICAL SPECIFICATIONS:

Current rating: 16 A

Voltage rating: 250 VAC



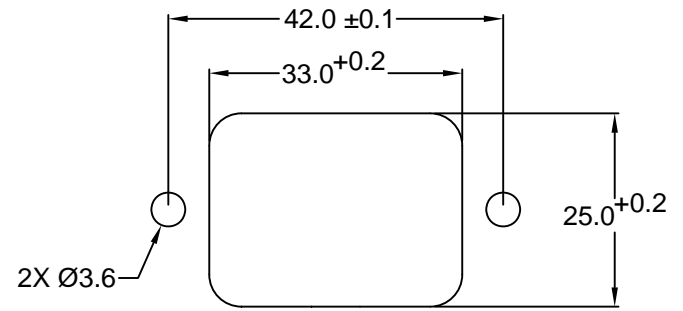
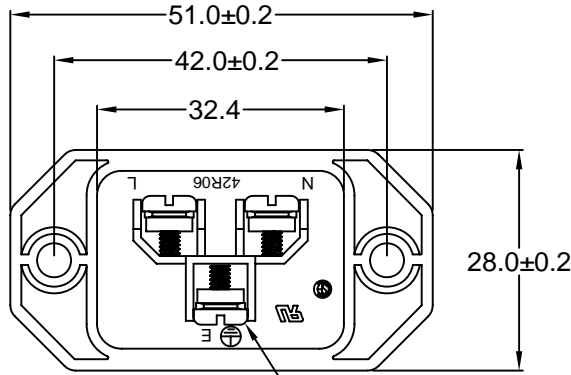
Current rating: 20 A

Voltage rating: 250 VAC



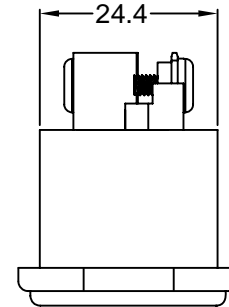
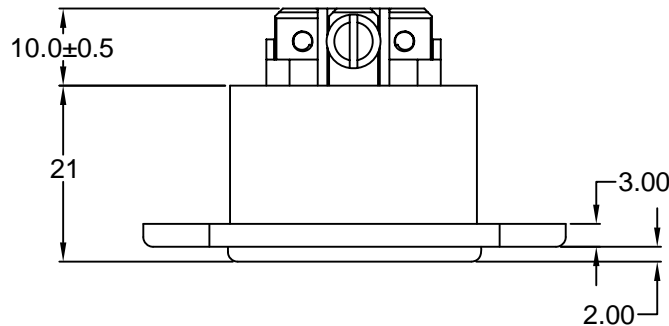
Insulation resistance: 100 Mohm min. at 500 VDC

Dielectric withstanding voltage: 2000 VAC for one minute



RECOMMENDED PANEL CUTOUT

M3x6.0mm SCREW TERMINIALS



ORDERING CODE:

42R06-1 1
 1 2

1) COLOR

1 = BLACK

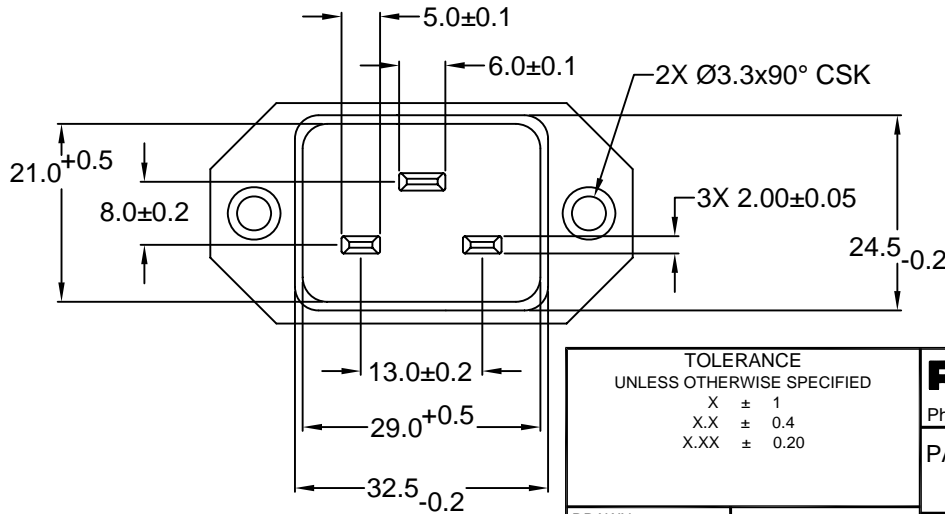
2 = GRAY

2) ELECTRICAL CIRCUIT CONFIGURATION

1 = 20A 250V 70°C 2+GROUND

2 = 20A 250V 155°C 2+GROUND

4 = 20A 250V 70°C 2 POLE



RoHS COMPLIANT

TOLERANCE UNLESS OTHERWISE SPECIFIED
X ± 1
X.X ± 0.4
X.XX ± 0.20

Power Dynamics, Inc.

Phone: 973 560-0019 Whippany, New Jersey Fax: 973 560-0076

PART: 16/20A IEC 60320 APPL. INLET; SCREW TERMINALS; SIDE FLANGE, PANEL MOUNT

42R06-1X1X

SHEET 1 of 1

DRAWN BY	GQ	DATE:	08/21/01
CHECK BY	TD	DATE:	08/28/01
APPR BY	PB	DATE:	08/28/01

SCALE: NTS ALL DIMENSIONS FOR REFERENCE ONLY DIMENSIONS ARE IN MILLIMETERS

D

C

B

A

REVISIONS	CHNG	CHECK	APPR
REV	DATE		