

6

5

4

3

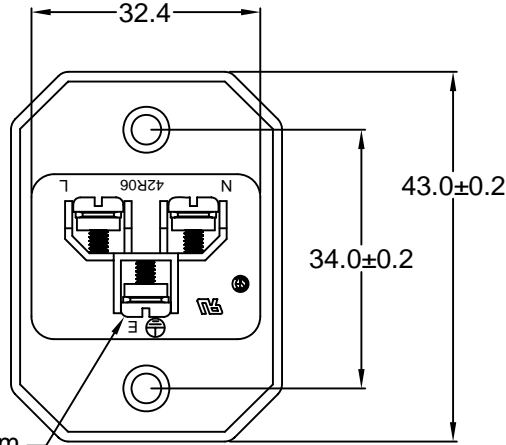
2

1

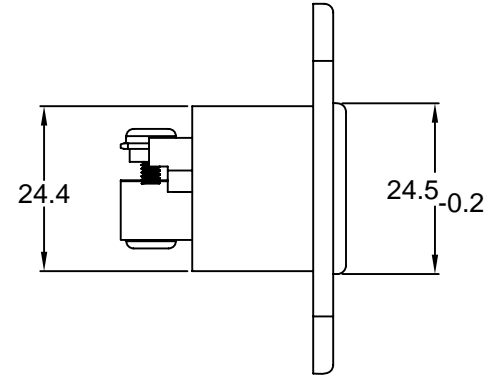
**MATERIAL AND FINISH:**  
 Insulator: Polycarbonate, UL-94V-0 rated  
 Contacts: Brass, Nickel plated

**ELECTRICAL SPECIFICATIONS:**

Current rating: 16 A  
 Voltage rating: 250 VAC  
 Current rating: 20 A  
 Voltage rating: 250 VAC  
 Insulation resistance: 100 Mohm min. at 500 VDC  
 Dielectric withstanding voltage: 2000 VAC for one minute



M3x6.0mm  
 SCREW TERMINALS



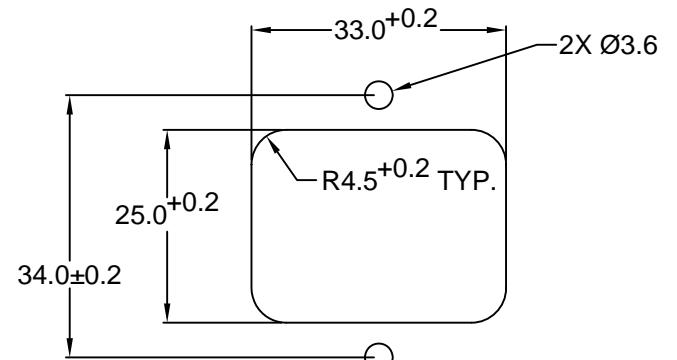
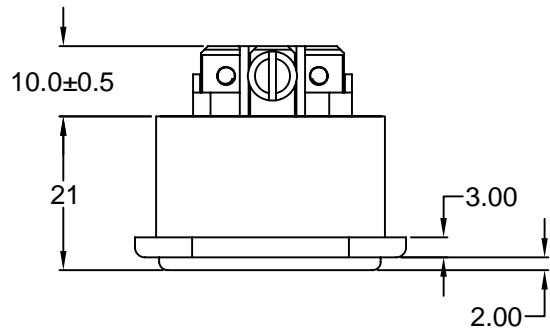
**ORDERING CODE:**

42R06-2   1    
           1   2

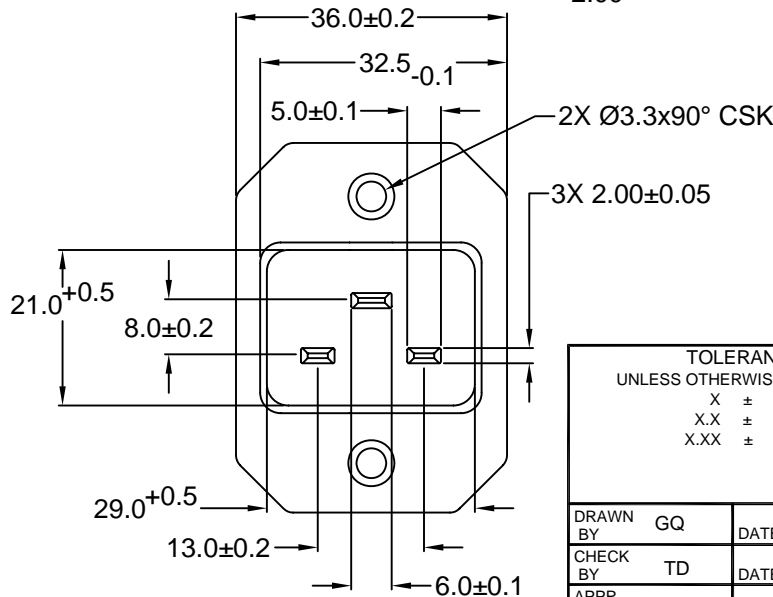
- 1) COLOR  
 1 = BLACK  
 2 = GRAY

2) ELECTRICAL CIRCUIT CONFIGURATION

- 1 = 20A 250V 70°C 2+GROUND  
 2 = 20A 250V 155°C 2+GROUND  
 4 = 20A 250V 70°C 2 POLE



RECOMMENDED  
 PANEL CUTOUT



RoHS  
 COMPLIANT

TOLERANCE UNLESS OTHERWISE SPECIFIED	
X	± 1
X.X	± 0.4
X.XX	± 0.20
DRAWN BY	GQ
DATE:	08/23/01
CHECK BY	TD
DATE:	08/28/01
APPR BY	PB
DATE:	08/28/01

**Power Dynamics, Inc.**  
 Phone: 973 560-0019 Whippany, New Jersey Fax: 973 560-0076

PART: 16/20A IEC 60320 APPL. INLET; SCREW  
 TERMINALS; CROSS FLANGE, PANEL MOUNT

PART #: 42R06-2X1X		SHEET 1 of 1
SIZE: A	ALL DIMENSIONS FOR REFERENCE ONLY DIMENSIONS ARE IN MILLIMETERS	
SCALE: NTS	REV:	

D

C

B

A

REV	DATE	CHANGE	CHNG	CHK	APPR