

6

5

4



3

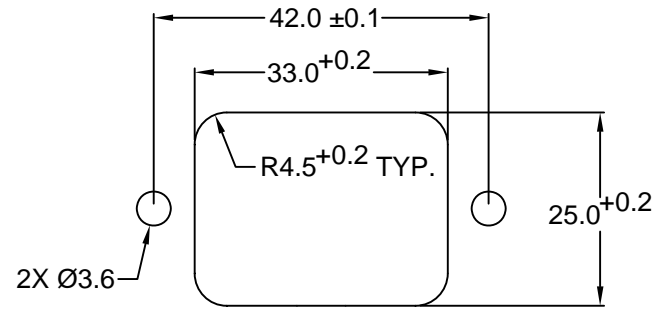
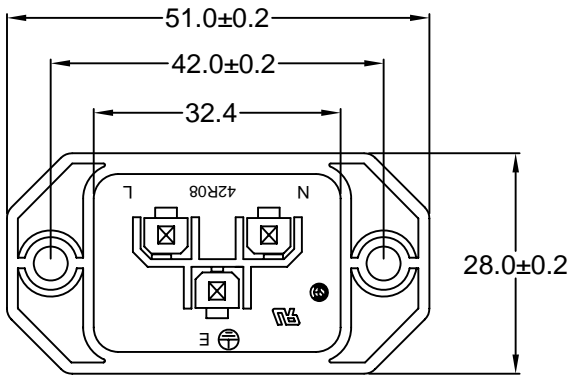
2

1

MATERIAL AND FINISH:
 Insulator: Polycarbonate, UL-94V-0 rated
 Contacts: Brass, Nickel plated

ELECTRICAL SPECIFICATIONS:

Current rating: 16 A 
 Voltage rating: 250 VAC
 Current rating: 20 A 
 Voltage rating: 250 VAC
 Insulation resistance: 100 Mohm min. at 500 VDC
 Dielectric withstanding voltage: 2000 VAC for one minute






**RECOMMENDED
 PANEL CUTOUT**

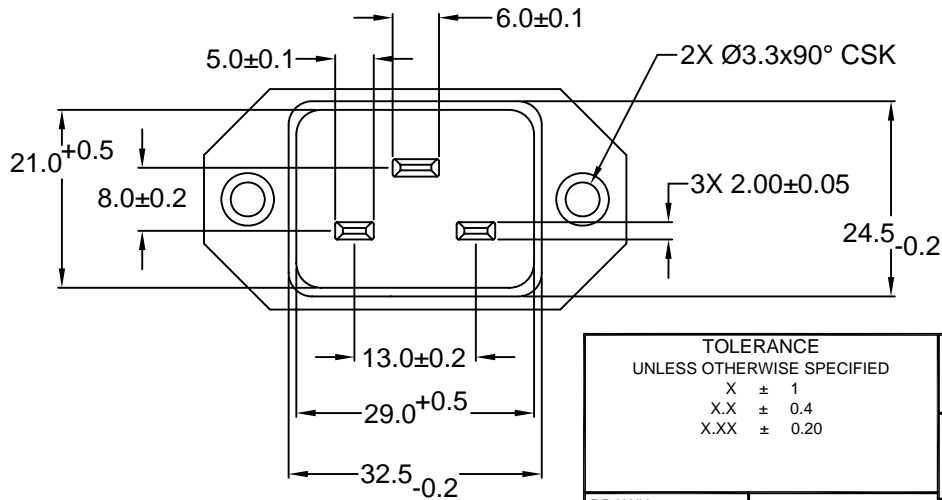
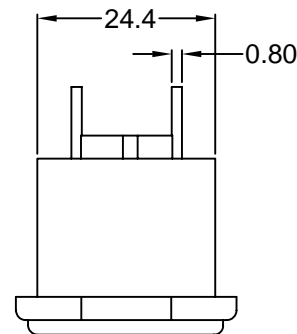
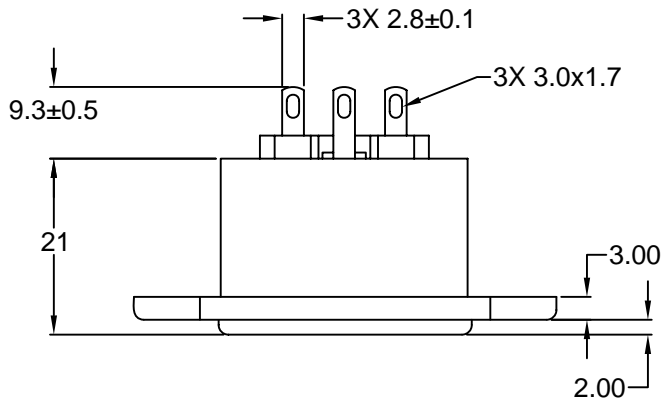
ORDERING CODE:

42R08-1 2
 1 2

1) COLOR
 1 = BLACK
 2 = GRAY

**2) ELECTRICAL CIRCUIT
 CONFIGURATION**

- 1 = 20A 250V 70°C  2+GROUND
- 2 = 20A 250V 155°C  2+GROUND
- 4 = 20A 250V 70°C  2 POLE



**RoHS
 COMPLIANT**

REVISIONS	CHNG	CHECK	APPR
	CHANGE	TERM. DIM.	PB
	DATE	1/8/10	
	REV	A	

TOLERANCE UNLESS OTHERWISE SPECIFIED	
X	± 1
X.X	± 0.4
X.XX	± 0.20

Power Dynamics, Inc.
 Phone: 973 560-0019 Whippany, New Jersey Fax: 973 560-0076

PART: 16/20A IEC 60320 APPL. INLET; SOLDER
 TERMINALS; SIDE FLANGE, PANEL MOUNT

DRAWN BY	GQ	DATE:	08/24/01
CHECK BY	TD	DATE:	08/29/01
APPR BY	PB	DATE:	08/29/01

PART #: 42R08-1X2X		SHEET 1 of 1
SIZE: A	ALL DIMENSIONS FOR REFERENCE ONLY DIMENSIONS ARE IN MILLIMETERS	REV: A
SCALE: NTS		

6

5

4

3

2

1