

6

5




4

3

2




1

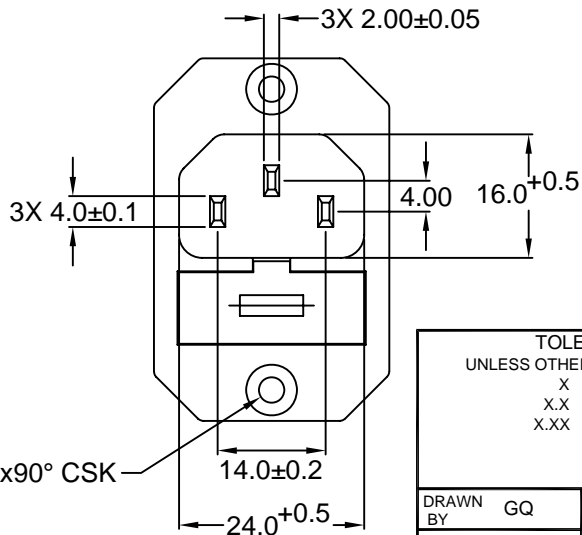
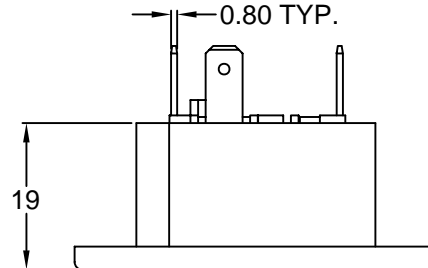
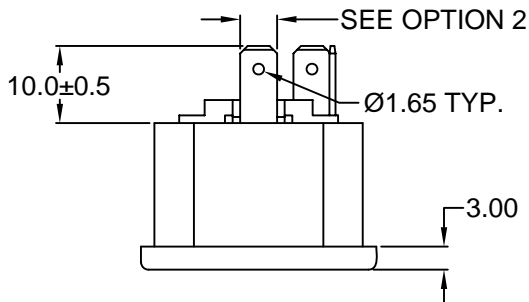
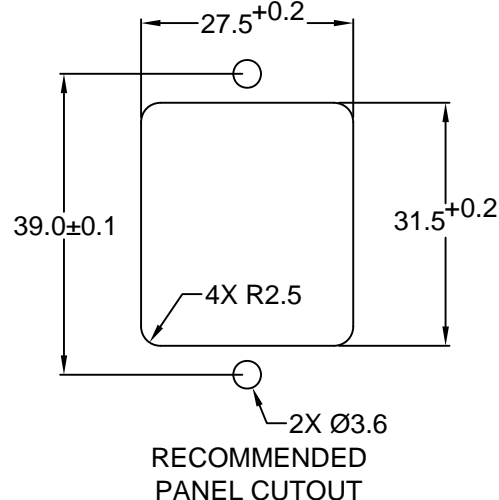
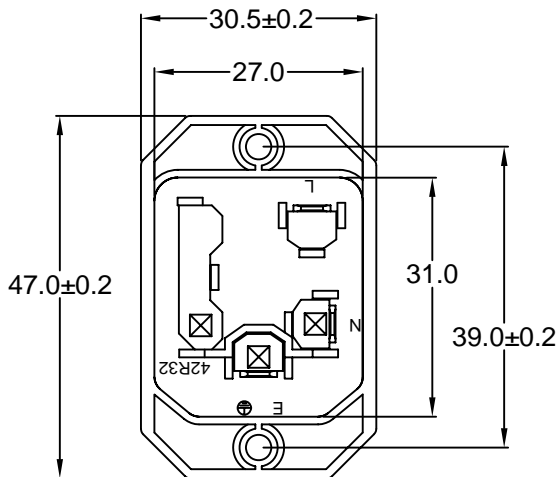
**MATERIAL AND FINISH:**  
 Insulator: Polycarbonate, UL-94V-0 rated  
 Contacts: Brass, Nickel plated

**ELECTRICAL SPECIFICATIONS:**  
 Current rating: 10 A     
 Voltage rating: 250 VAC  
 Insulation resistance: 100 Mohm min. at 500 VDC  
 Dielectric withstanding voltage: 2000 VAC for one minute

**ORDERING CODE:**  
 42R32-2 \_\_\_\_\_  
                   1 2 3

- 1) COLOR  
 1 = BLACK  
 2 = GRAY
- 2) TERMINAL OPTIONS  
 1 = .187(4.8)  
 2 = .250(6.3)
- 3) ELECTRICAL CIRCUIT CONFIGURATION

- 1 = 10A 250V 70°C  
 2+GROUND 
- 2 = 10A 250V 120°C  
 2+GROUND 
- 4 = 10A 250V 70°C  
 2 POLE 



RoHS  
 COMPLIANT

TOLERANCE UNLESS OTHERWISE SPECIFIED	
X	± 1
X.X	± 0.4
X.XX	± 0.20
DRAWN BY	GQ
DATE:	09/09/01
CHECK BY	TD
DATE:	09/09/01
APPR BY	PB
DATE:	09/09/01

**Power Dynamics, Inc.**  
 Phone: 973 560-0019 Whippany, New Jersey Fax: 973 560-0076

PART: IEC 60320 SINGLE FUSE HOLDER APPL. INLET;  
 QUICK CONNECT TERMINALS; CROSS FLANGE

PART #: <b>42R32-2XXX</b>		SHEET 1 of 1
SIZE: A	ALL DIMENSIONS FOR REFERENCE ONLY DIMENSIONS ARE IN MILLIMETERS	
SCALE: NTS	REV:	

D

C

B

A

REVISIONS	CHANGE	CHK	CHK	APPR

6

5

4

3

2

1