

MATERIAL AND FINISH:

Insulator: PBT, glass fiber, color black, UL-94V-0

Contacts: Copper Alloy, 0.3mm thick

ELECTRICAL SPECIFICATIONS:

Rated current: 2.5A

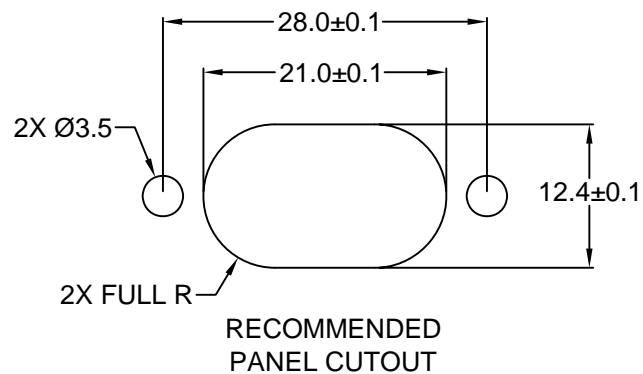
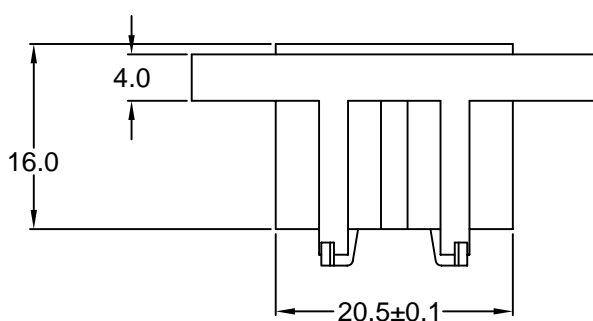
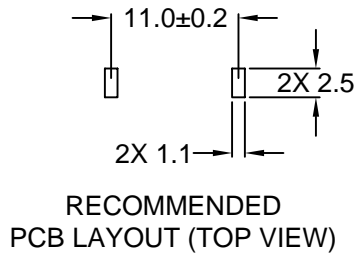
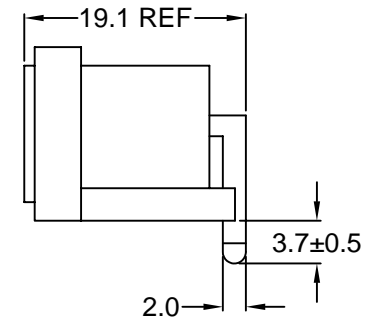
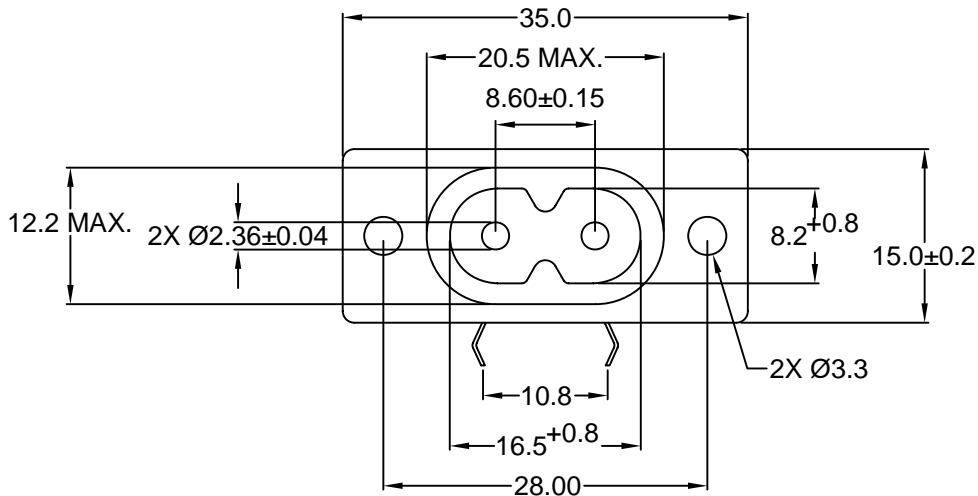
Rated voltage: 250VAC



Insulation resistance: 100 Mohm min. @ 500VDC

Dielectric withstanding voltage: 2000VAC for one minute

RoHS COMPLIANT



REVISIONS	CHNG	CHK	APPR
	DATE	REVISED / UPDATED	ADD CONTACT THICKNESS
	11/12/01		
	1/23/04		

TOLERANCE UNLESS OTHERWISE SPECIFIED		
X ± 1		
X.X ± 0.4		
X.XX ± 0.20		
DRAWN BY	DT	DATE: 5/11/00
CHECK BY	JJ	DATE: 5/11/00
APPR BY	PB	DATE: 5/15/00

Power Dynamics, Inc.
 Phone: 973 560-0019 Whippany, New Jersey Fax: 973 560-0076

PART: MINIATURE IEC 60320 C8 APPL. INLET
 FLUSH FLANGE MOUNT, PC TERMINALS

42R51-5126

PART #: 42R51-5126

SIZE: A

SCALE: NTS

ALL DIMENSIONS FOR REFERENCE ONLY
 DIMENSIONS ARE IN MILLIMETERS

SHEET 1 of 1

REV: B