

6

5

4

3

2

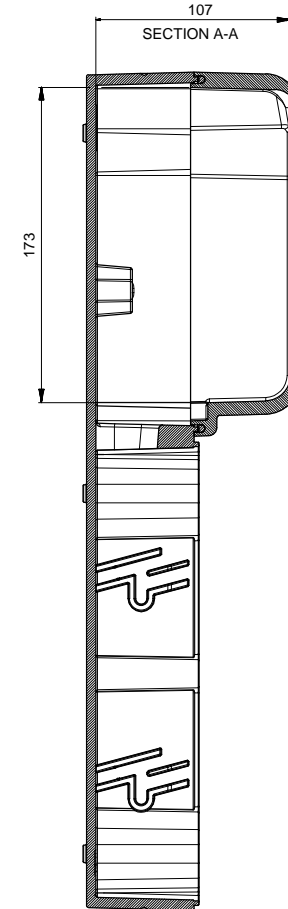
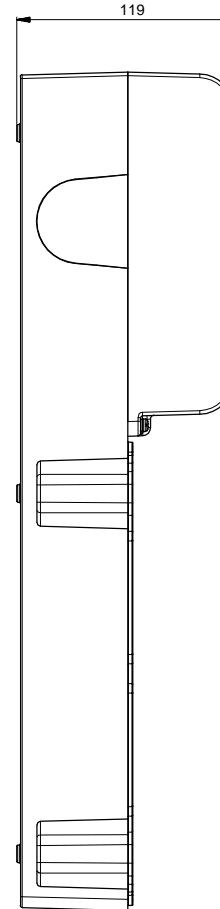
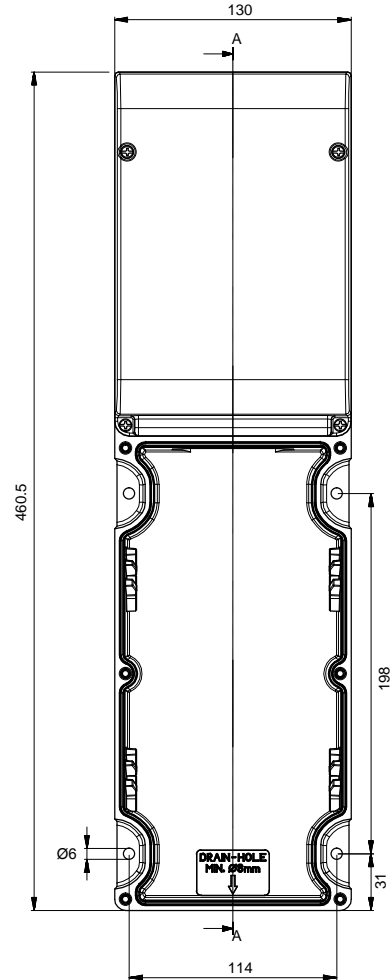
1

**MATERIAL:**  
 Glass reinforced polyester, thermosetting material  
 UL-94-V0 rated, color Gray

**UV resistance:** All exposed materials are UV stabilized  
 Living Building Challenge Red List v3.0 compliant

RoHS  
COMPLIANT

REACH  
COMPLIANT



D

D

C

C

B

B

A

A

REVISIONS	CHNG	CHK	APPR
	CHANGE		
	REV	DATE	

TOLERANCE UNLESS OTHERWISE SPECIFIED	
X	± 1
X.X	± 0.4
X.XX	± 0.20
DRAWN BY	BP
DATE:	1/18/17
CHECK BY	
DATE:	
APPR BY	
DATE:	

**Power Dynamics, Inc.**  
 Phone: 973 560-0019    Whippany, New Jersey    Fax: 973 560-0076

PART: SINGLE BASE WITH REMOVABLE COVER WIRING BOX FOR  
 20/30A ADVANCE GRP SWITCHED PIN & SLEEVE MECHANICAL INTERLOCK

**579.5112**

PART #: 579.5112

SIZE: A

SCALE: NTS

ALL DIMENSIONS FOR REFERENCE ONLY  
 DIMENSIONS ARE IN MILLIMETERS

SHEET 1 of 1

REV:

6

5

4

3

2

1