

6

5

4

3

2

1

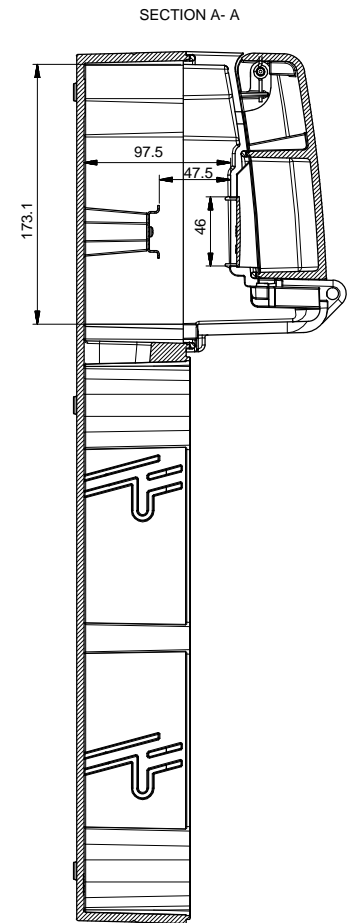
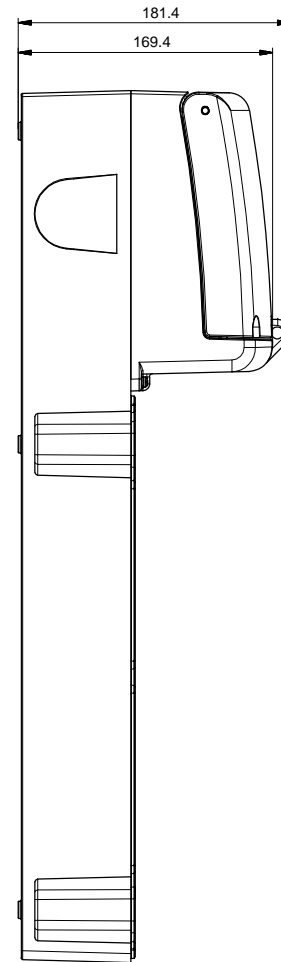
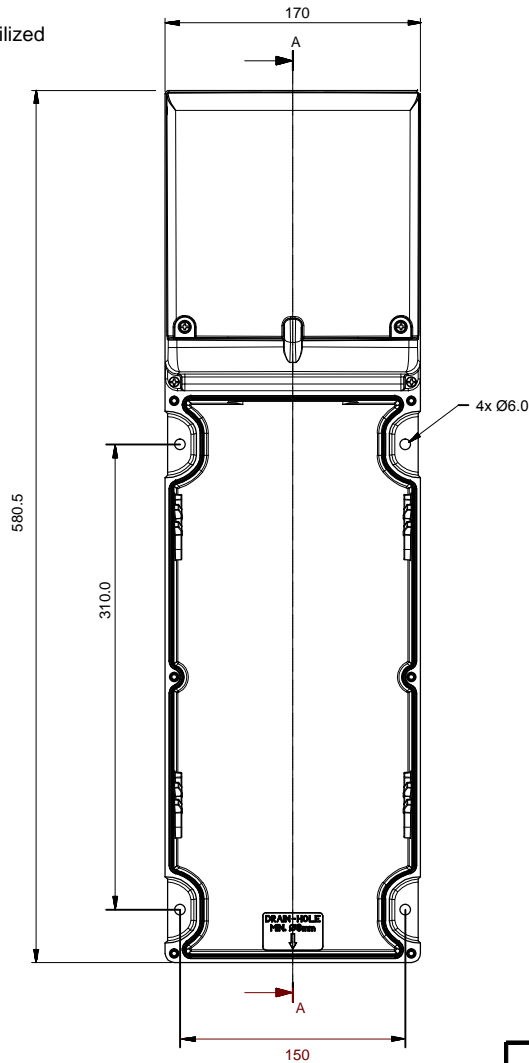
MATERIAL:

Glass reinforced polyester, thermosetting material
UL-94-V0 rated, color Gray

UV resistance: All exposed materials are UV stabilized
Living Building Challenge Red List v3.0 compliant

RoHS
COMPLIANT

REACH
COMPLIANT



<p>TOLERANCE UNLESS OTHERWISE SPECIFIED</p> <p>X ± 1 X.X ± 0.4 X.XX ± 0.20</p>	
DRAWN BY: BP	DATE: 4/27/16
CHECK BY:	DATE:
APPR BY:	DATE:

Power Dynamics, Inc.
 Phone: 973 560-0019 Whippany, New Jersey Fax: 973 560-0076

PART: SINGLE BASE WITH WIRING BOX FOR 60 AMP ADVANCE GRP SWITCHED PIN & SLEEVE MECHANICAL INTERLOCK

579.5211

SIZE: A
SCALE: NTS

ALL DIMENSIONS FOR REFERENCE ONLY
DIMENSIONS ARE IN MILLIMETERS

SHEET 1 of 1
REV:

D
C
B
A

D
C
B
A

REVISIONS	CHNG	CHK	APPR
	CHANGE		
	REV	DATE	

6

5

4

3

2

1