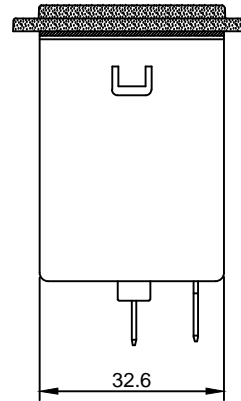
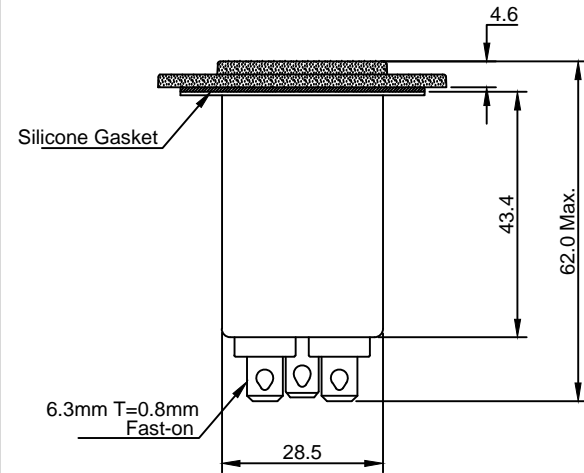


SUGGESTED PANEL CUTOUT (MOUNTING FROM FRONT)



IP65 DUSTPROOF / WATERPROOF
IEC 60320 C14 FUSED EMI FILTER
ORDERING CODE:

HGN-365A_Q-W_-_-_-
1 2 3 4 5

- 1) CURRENT RATING (A)
1A = 01
2A = 02
4A = 04
6A = 06
10A = 10

- 2) FUSE OPTION:
1 Fuse 5x20mm = 1
2 Fuse 5x20mm = 2

- 3) BLEEDER RESISTOR:
None = 0
1/4W, 1M = 5

- 4) COMPONENT LOCATIONS: *
(See Sheet 2 for Schematics)
Standard type = 1
Medical without Cy (Cx only) = 1M

- 5) COMPONENT VALUES: *
(See Sheet 2 for Attenuation / Insertion loss)

Standard Applications:

Cap Cx	Cap Cy	1A (mH)	2A (mH)	4A (mH)	6A (mH)	10A (mH)	
0.1uF	2200pF	6.5	3.8	1.6	0.8	0.2	= A
0.1uF	3300pF	3.7	2.7	1.3	0.8	0.3	= C
0.22uF	3300pF	6.5	4.0	2.0	0.85	0.3	= H

Medical Applications:

Cap Cx	1A (mH)	2A (mH)	4A (mH)	6A (mH)	10A (mH)	
0.1uF	6.5	3.8	1.6	0.8	0.2	= M1
0.22uF	6.5	4.0	2.0	0.8	0.3	= M7

* CONTACT POWER DYNAMICS FOR ADDITIONAL OPTIONS

ELECTRICAL SPECIFICATIONS:
Voltage rating: 115/250 VAC 50/60 Hz

Operating frequency: 50/60 Hz

Leakage current each line to ground:
Standard:

0.3mA max. at 115 VAC 60 Hz
0.6mA max. at 250 VAC 50 Hz

Medical:

2 uA max. at 115 VAC 60 Hz
5 uA max. at 250 VAC 50 Hz

Hipot rating: (for one minute)

Line to line: 500VDC

Line to ground: 2250VDC

ENVIRONMENTAL:

Temperature range: -25°C to +85°C

Protection: IP65

APPROVALS:



TOLERANCE UNLESS OTHERWISE SPECIFIED	
X	± 1
X.X	± 0.4
X.XX	± 0.13

DRAWN BY: PB	DATE: 7/29/15
CHECK BY:	DATE:
APPR BY:	DATE:

Power Dynamics, Inc.

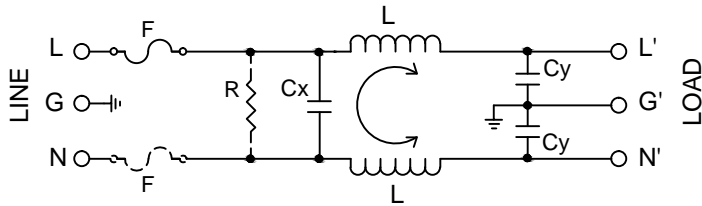
Phone: 973 560-0019 Whippany, New Jersey Fax: 973 560-0076

PART: IP65 RATED DUSTPROOF / WATERPROOF
EMI FILTER; IEC C14; FUSED; FLANGE MOUNT

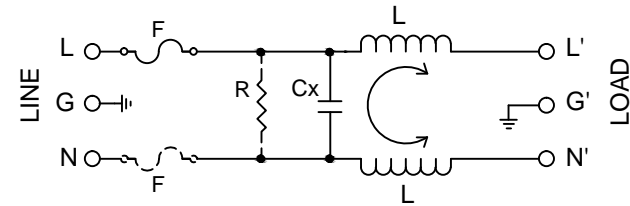
HGN-365AXXQ-XWX-XX SHEET 1 of 2

SCALE: NTS ALL DIMENSIONS FOR REFERENCE ONLY
DIMENSIONS ARE IN MILLIMETERS REV:

REV	DATE	CHANGE	CHK	CHK	APPR



STANDARD SCHEMATIC



MEDICAL SCHEMATIC

CODE	MINIMUM INSERTION LOSS IN 50 Ohm SYSTEM												
	COMMON MODE (L-G) in MHz						DIFFERENTIAL MODE (L-L) in MHz						
	CURRENT RATING	0.15	0.5	1.0	5.0	10.0	30.0	0.15	0.5	1.0	5.0	10.0	30.0
A	1	34	38	40	32	26	11	8	25	37	71	62	12
	2	29	32	55	48	49	51	8	23	34	68	64	14
	4	22	27	30	48	54	47	8	19	28	66	72	34
	6	18	24	28	44	50	47	8	18	26	43	51	31
	10	8	14	18	33	41	39	8	18	25	29	38	31
	C	CURRENT RATING	0.15	0.5	1.0	5.0	10.0	30.0	0.15	0.5	1.0	5.0	10.0
1		29	33	47	53	57	41	8	23	35	73	58	14
2		28	37	44	52	56	41	8	19	27	74	59	17
4		19	24	27	43	53	38	8	18	25	57	60	32
6		19	29	36	49	55	46	8	18	23	50	54	24
10		11	19	24	41	53	36	8	18	24	51	46	25
H	CURRENT RATING	0.15	0.5	1.0	5.0	10.0	30.0	0.15	0.5	1.0	5.0	10.0	30.0
	1	37	19	53	51	51	41	17	35	47	68	57	34
	2	38	23	33	57	55	48	15	31	42	59	64	15
	4	25	30	39	47	49	41	15	26	36	61	53	20
	6	18	25	31	45	51	40	15	26	33	51	57	27
	10	10	19	23	35	42	35	15	26	33	36	46	29

CODE	MINIMUM INSERTION LOSS IN 50 Ohm SYSTEM												
	COMMON MODE (L-G) in MHz						DIFFERENTIAL MODE (L-L) in MHz						
	CURRENT RATING	0.15	0.5	1.0	5.0	10.0	30.0	0.15	0.5	1.0	5.0	10.0	30.0
M1	1	34	38	39	32	16	21	9	26	37	62	51	11
	2	29	32	34	30	19	16	8	23	34	60	48	13
	4	22	26	27	30	30	28	8	20	29	57	52	33
	6	18	22	24	27	25	18	8	18	26	52	45	27
	10	8	13	15	17	16	14	8	18	25	32	28	24
	M7	CURRENT RATING	0.15	0.5	1.0	5.0	10.0	30.0	0.15	0.5	1.0	5.0	10.0
1		37	44	41	23	31	18	17	35	47	54	42	32
2		32	42	42	32	20	17	16	31	42	53	47	14
4		24	28	29	26	19	10	15	27	38	53	45	19
6		15	22	24	25	23	19	15	26	35	43	41	23
10		10	18	20	20	18	13	15	26	34	34	31	23

REVISIONS
SEE SHEET 1 FOR LATEST REVISION

<p>TOLERANCE UNLESS OTHERWISE SPECIFIED X ± 1 X.X ± 0.4 X.XX ± 0.20</p>	
DRAWN BY: PB	DATE: 7/29/15
CHECK BY:	DATE:
APPR BY:	DATE:

Power Dynamics, Inc.
 Phone: 973 560-0019 Whippany, New Jersey Fax: 973 560-0076

PART: IP65 RATED DUSTPROOF / WATERPROOF EMI FILTER; IEC C14; FUSED; FLANGE MOUNT

PART #: **HGN-365AXXQ-XWX-XX** SHEET 2 of 2

SIZE: A ALL DIMENSIONS FOR REFERENCE ONLY
 SCALE: NTS DIMENSIONS ARE IN MILLIMETERS REV: