

**RoHS
COMPLIANT**

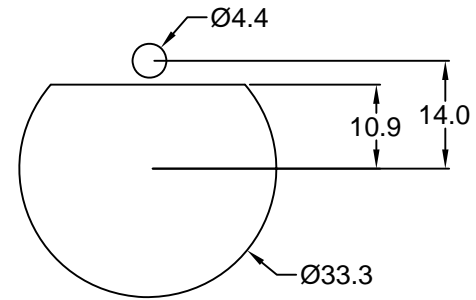
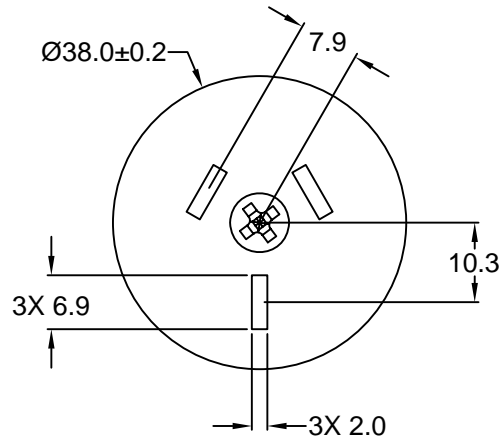
MATERIAL AND FINISH:

Insulator: PC (Polycarbonate), UL-94V-0 rated, color white
Contacts: Brass, Nickel plated

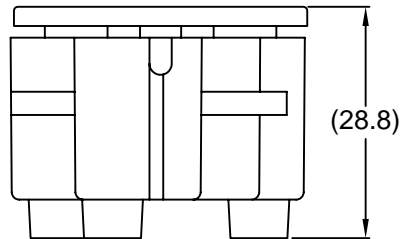
ELECTRICAL SPECIFICATIONS:

Rated current: 10A
Rated voltage: 250VAC
Insulation resistance: 100 Mohm min. at 500VDC
Dielectric withstanding voltage: 2000VAC for one minute

APPROVAL: 
NSW OFFICE
OF
FAIR TRADING
AUSTRALIA



RECOMMENDED
PANEL CUTOUT



REVISIONS	REV	DATE	CHANGE	CHNG	CHK	APPR
	A	8/3/10	UPDATED	PB		

TOLERANCE UNLESS OTHERWISE SPECIFIED		
	X	± 1
	X.X	± 0.4
	X.XX	± 0.20
DRAWN BY	GQ	DATE: 11/06/01
CHECK BY	TD	DATE: 11/13/01
APPR BY	PB	DATE: 11/13/01

Power Dynamics, Inc.		
Phone: 973 560-0019 Whippany, New Jersey Fax: 973 560-0076		
PART: AS 3112 AUSTRALIAN / NEW ZEALAND ROUND RECEPTACLE		
DRAWN BY: GQ		DATE: 11/06/01
CHECK BY: TD		DATE: 11/13/01
APPR BY: PB		DATE: 11/13/01
PART #: PD-16AU-1		SHEET 1 of 1
SIZE: A	ALL DIMENSIONS FOR REFERENCE ONLY DIMENSIONS ARE IN MILLIMETERS	
SCALE: NTS	REV: A	