

6

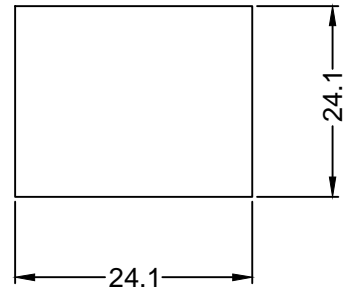
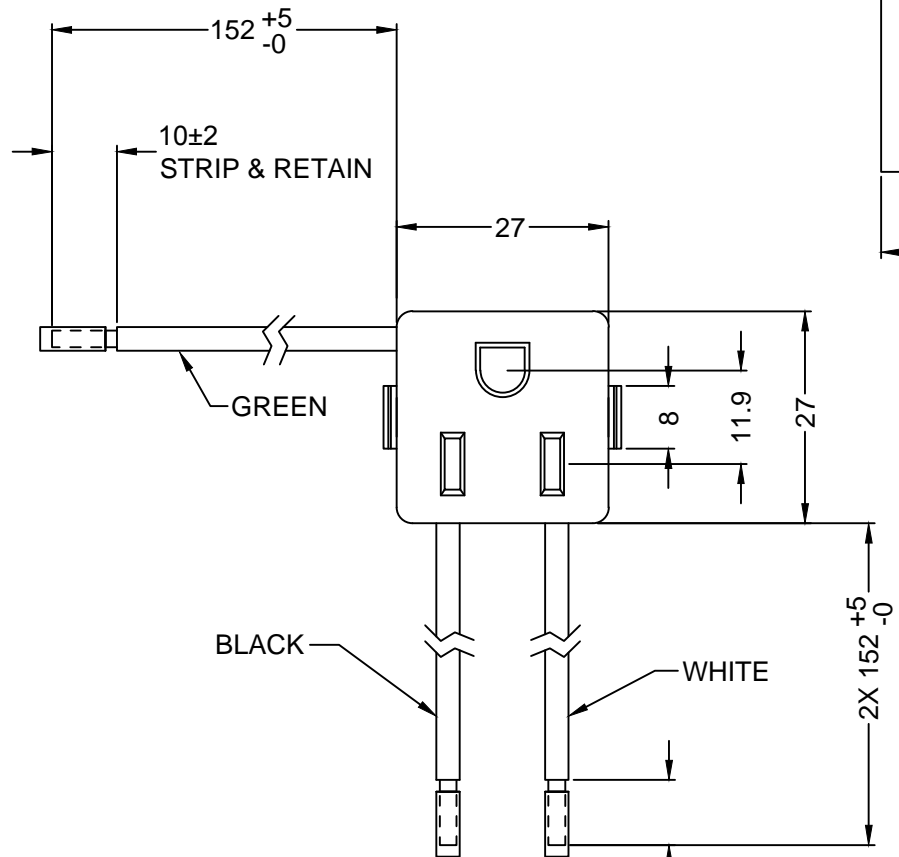
5

4

3

2

1



PANEL CUTOUT

MATERIAL:

Housing: Thermoplastic, UL-94-V2 rated, color black

Contacts: Brass

Clips: Thermoplastic, UL-94-V2 rated, color black

Wires: Black & White: 14AWG, UL 1015, 105°C, 600V, VW-1

Green: 16 AWG, UL 1015, 105°C, 600V, VW-1

ELECTRICAL SPECIFICATIONS:

Rated Current: 15 AMPS

Rated Voltage: 125 VAC

MECHANICAL SPECIFICATIONS:

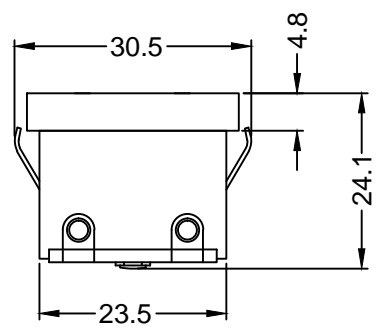
Panel thickness: 0.8mm ~ 2.0mm

ENVIRONMENTAL SPECIFICATIONS:

Operating temperature: -40°C ~ +60°C



SAFETY APPROVALS:  



REVISIONS	CHANGE	CHK	CHK	APPR
	REV	DATE		

TOLERANCE UNLESS OTHERWISE SPECIFIED	
X	± 1
X.X	± 0.4
X.XX	± 0.13
DRAWN BY	PB
CHECK BY	
APPR BY	
DATE:	10/22/13
DATE:	
DATE:	

Power Dynamics, Inc.	
Phone: 973 560-0019 Whippany, New Jersey Fax: 973 560-0076	
PART: NEMA 5-15R SNAP IN OUTLET; SHORT BODY PANEL MOUNT; WITH 152mm LONG WIRES; STRIP & RETAIN	
PART #: PD-515R-SW	
SIZE: A	ALL DIMENSIONS FOR REFERENCE ONLY DIMENSIONS ARE IN MILLIMETERS
SCALE: NTS	REV:
SHEET 1 of 1	

6

5

4

3

2

1