

6

5

4

3

2

1

MATERIAL:

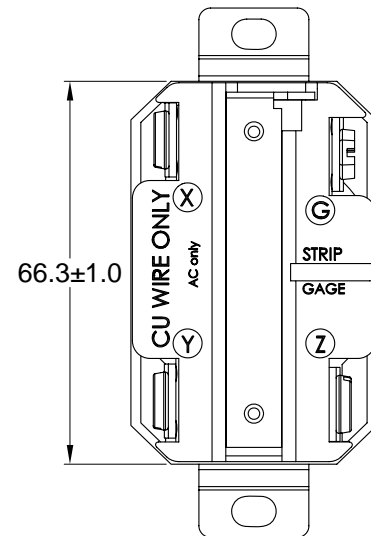
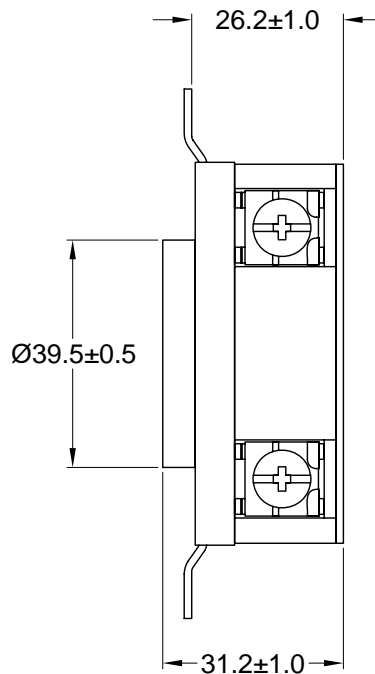
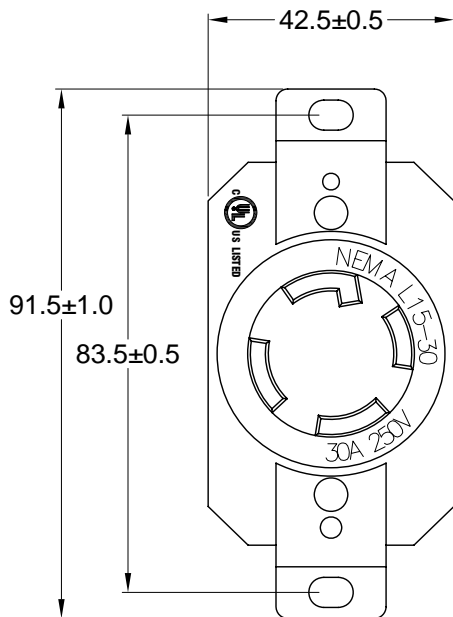
Housing: PBT, color black
Bracket: Brass
Contacts: Brass

ELECTRICAL SPECIFICATIONS:

Rated current: 30A
Rated voltage: 250VAC

APPROVALS: 

**RoHS
COMPLIANT**



REV	DATE	CHANGE	CHKG	CHECK	APPR

TOLERANCE UNLESS OTHERWISE SPECIFIED			
X	± 1		
X.X	± 0.4		
X.XX	± 0.13		
DRAWN BY	PB	DATE:	12/13/10
CHECK BY		DATE:	
APPR BY		DATE:	

Power Dynamics, Inc.		
Phone: 973 560-0019 Whippany, New Jersey Fax: 973 560-0076		
PART: NEMA L15-30R LOCKING RECEPTACLE		
-		
PART #: PD-L1530R-B		SHEET 1 of 1
SIZE: A	ALL DIMENSIONS FOR REFERENCE ONLY	
SCALE: NTS	DIMENSIONS ARE IN MILLIMETERS	
		REV:

6

5

4

3

2

1