

6

5

4

3

2

1

MATERIAL:

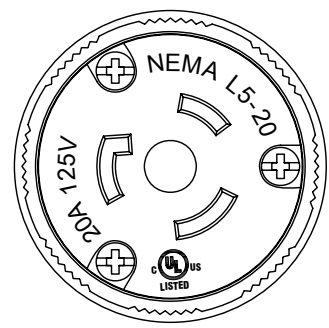
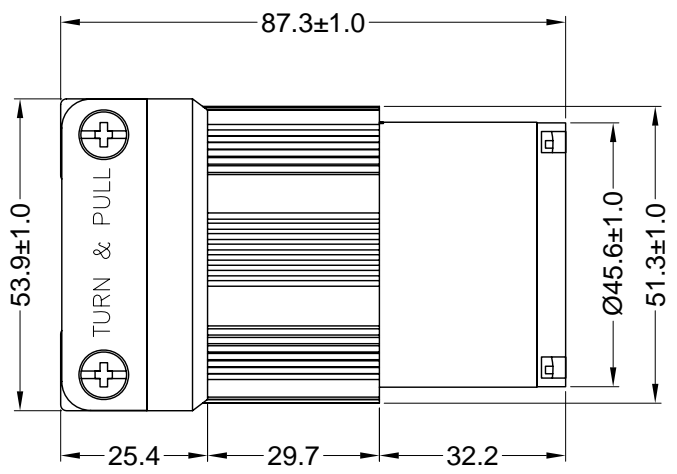
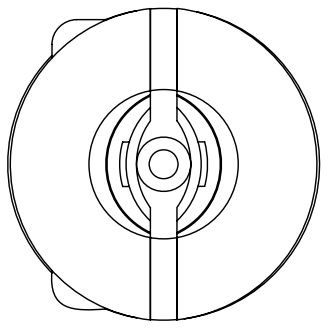
Housing & Cord Clamp: Nylon, color black
Contact Holder & Terminal Retainer: Polycarbonate
Contacts: Brass

ELECTRICAL SPECIFICATIONS:

Rated current: 20A
Rated voltage: 125VAC

APPROVALS: 

**RoHS
COMPLIANT**



D

C

B

A

REV	DATE	CHANGE	CHKG	CHK	APPR

TOLERANCE UNLESS OTHERWISE SPECIFIED	
X	± 1
X.X	± 0.4
X.XX	± 0.13
DRAWN BY	PB
CHECK BY	
APPR BY	
DATE:	5/7/10
DATE:	
DATE:	

Power Dynamics, Inc.		
Phone: 973 560-0019 Whippany, New Jersey Fax: 973 560-0076		
PART: NEMA L5-20R CORD CONNECTOR 20A 125VAC; ASSEMBLY TYPE		
PART #: PD-L520C-B		SHEET 1 of 1
SIZE: A	ALL DIMENSIONS FOR REFERENCE ONLY DIMENSIONS ARE IN MILLIMETERS	REV:
SCALE: NTS		