

6

5

4

3

2

1

MATERIAL:

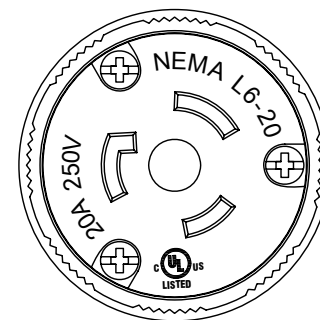
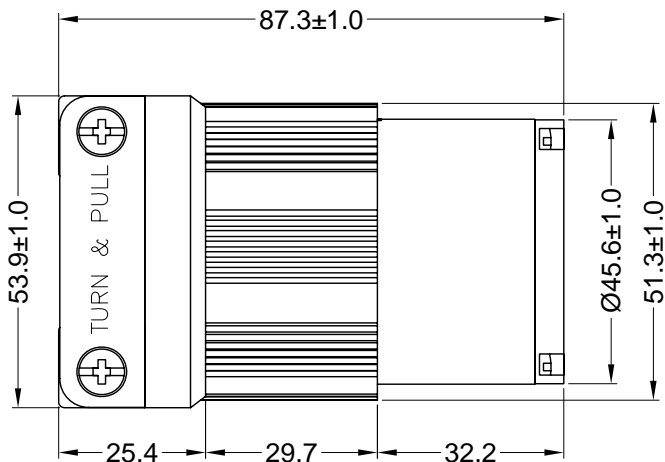
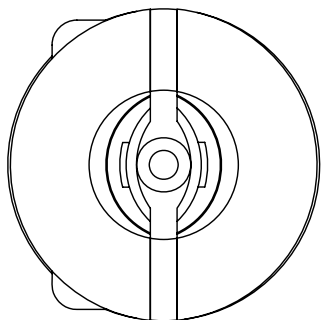
Housing & Cord Clamp: Nylon, color black
Contact Holder & Terminal Retainer: Polycarbonate
Contacts: Brass

ELECTRICAL SPECIFICATIONS:

Rated current: 20A
Rated voltage: 250VAC

APPROVALS: 

**RoHS
COMPLIANT**



REV	DATE	CHANGE	CHKG	CHK	APPR

REVISIONS

TOLERANCE UNLESS OTHERWISE SPECIFIED	
X	± 1
X.X	± 0.4
X.XX	± 0.13
DRAWN BY	PB
CHECK BY	
APPR BY	
DATE:	5/7/10
DATE:	
DATE:	

Power Dynamics, Inc.
Phone: 973 560-0019 Whippany, New Jersey Fax: 973 560-0076

PART: NEMA L6-20R CORD CONNECTOR
20A 250VAC; ASSEMBLY TYPE

PART #: **PD-L620C-B**

SIZE: A
SCALE: NTS

ALL DIMENSIONS FOR REFERENCE ONLY
DIMENSIONS ARE IN MILLIMETERS

SHEET 1 of 1
REV: