

6

5

4

3

2

1

MATERIALS:

Shell: Zinc alloy with black Nickel plating

Insert: PPS, UL-94V-0 rated

Contacts: Brass, Gold plated

MECHANICAL SPECIFICATIONS:

Coupling type: Screw type

Contact termination: Solder

Cable O.D. range: 5 ~ 8mm

Mating cycles: >500

ENVIRONMENTAL SPECIFICATIONS:

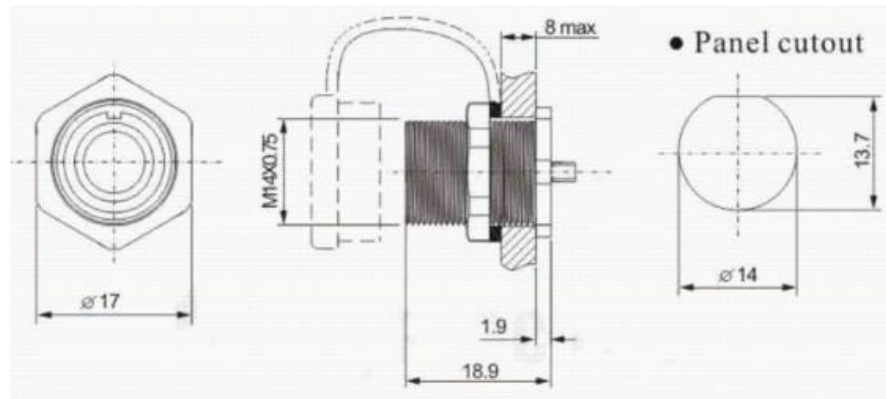
IP rating: IP67

Temperature range: -40°C ~ +85°C

RoHS
COMPLIANT**ORDERING CODE:**

PD-ST1213-SX

Number of contacts (from chart)



Number of contact	2	3	4	5	6	7	9
Male contact face view							
Rated current (A)	13A	13A	5A	5A	5A	5A	3A
Contact diameter	∅ 1.6X2	∅ 1.6X3	∅ 1X4	∅ 1X5	∅ 1X6	∅ 1X7	∅ 0.7X9
Rated voltage (AC.V)	250V	250V	200V	180V	125V	125V	125V
Test voltage(AC.V) 1 min	1500V	1500V	1500V	1000V	1000V	1000V	1000V
Contact resistance Ω	2	2	5	5	5	5	10
Wire size $_{min}$ /AWG	≤2/14	≤2/14	≤0.785/18	≤0.785/18	≤0.785/18	≤0.785/18	≤0.785/18

TOLERANCE
UNLESS OTHERWISE SPECIFIED
X ± 1
X.X ± 0.4
X.XX ± 0.13

Power Dynamics, Inc.

Phone: 973 560-0019 Whippany, New Jersey Fax: 973 560-0076

PART: METAL IP67 WATERPROOF FEMALE REAR PANEL MOUNT
CONNECTOR; 2 - 9 CONTACTS; SOLDER TERMINATION

DRAWN BY	PB	DATE:	10/30/17
CHECK BY		DATE:	
APPR BY		DATE:	

PART # PD-ST1213-SX

SIZE: A

SCALE: NTS

ALL DIMENSIONS FOR REFERENCE ONLY
DIMENSIONS ARE IN MILLIMETERSSHEET
1 of 1

REV:

REVISIONS

CHANGE

CHK

APPR

DATE

REV

6

5

4

3

2

1