

PG Series ECONOMICAL, CHASSIS MOUNT, SINGLE STAGE EMI/RFI LINE FILTER.



FEATURES

This economical PG series filter suppresses Line-to-Line and Line-to-Ground noise. Designed for easy mounting, this Chassis mount filter offers filters with current ratings up to 10 Amps at 250VAC.

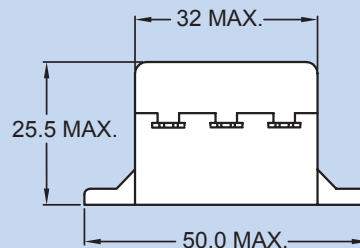
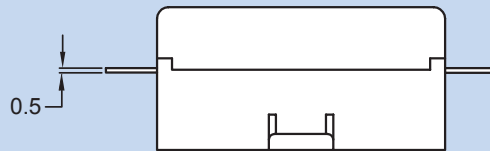
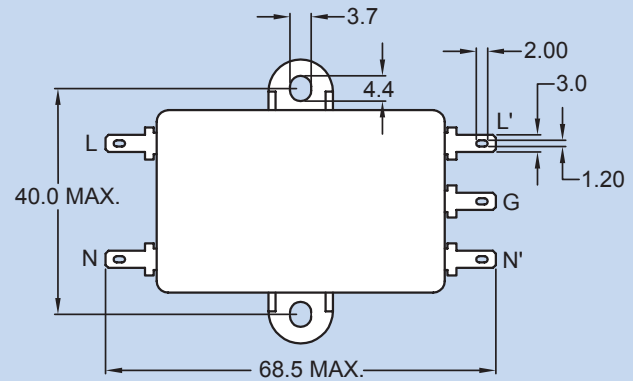
APPLICATIONS

Computer & networking equipment, Measuring & control equipment, Data processing equipment, laboratory instruments, Switching power supplies, other electronic equipment.

TECHNICAL DATA

- Rated Voltage: 250VAC
- Rated Current: 1A, 3A, 6A, 10A
- Power Line Frequency: 60Hz
- Leakage Current: 0.8mA, 250VAC
- Hipot Rating (one minute)
 - Line to Ground: 2250VDC
 - Line to Line: 1450VDC
- Temperature Range: -25C to +85C


MECHANICAL DIMENSIONS (Unit: mm)



Specifications subject to change without notice. Dimensions (mm).

PG Series Example & Ordering Code

PG 01 S

<p>CURRENT RATING (A):</p> 	<p>= 01 = 03 = 06 = 10</p>
<p>TERMINAL:</p>	<p>SOLDER CONNECT = S</p>

PG Series Attenuation Table

Non-Medical Applications

Insertion loss in dB (50 Ohm circuit)

Current Rating	Inductance in mH	Comm. Mode(L-G) MHz						Diff. mode(L-L) MHz					
		.15	.5	1	5	10	30	.15	.5	1	5	10	30
1A	3.7	25	37	42	41	43	26	4	15	23	37	35	35
3A	1.8	21	31	38	37	40	27	8	20	29	37	44	32
6A	0.7	13	18	23	37	43	34	7	16	22	39	48	50
10A	0.3	6	14	21	33	39	38	5	14	21	34	42	38

SCHEMATIC

