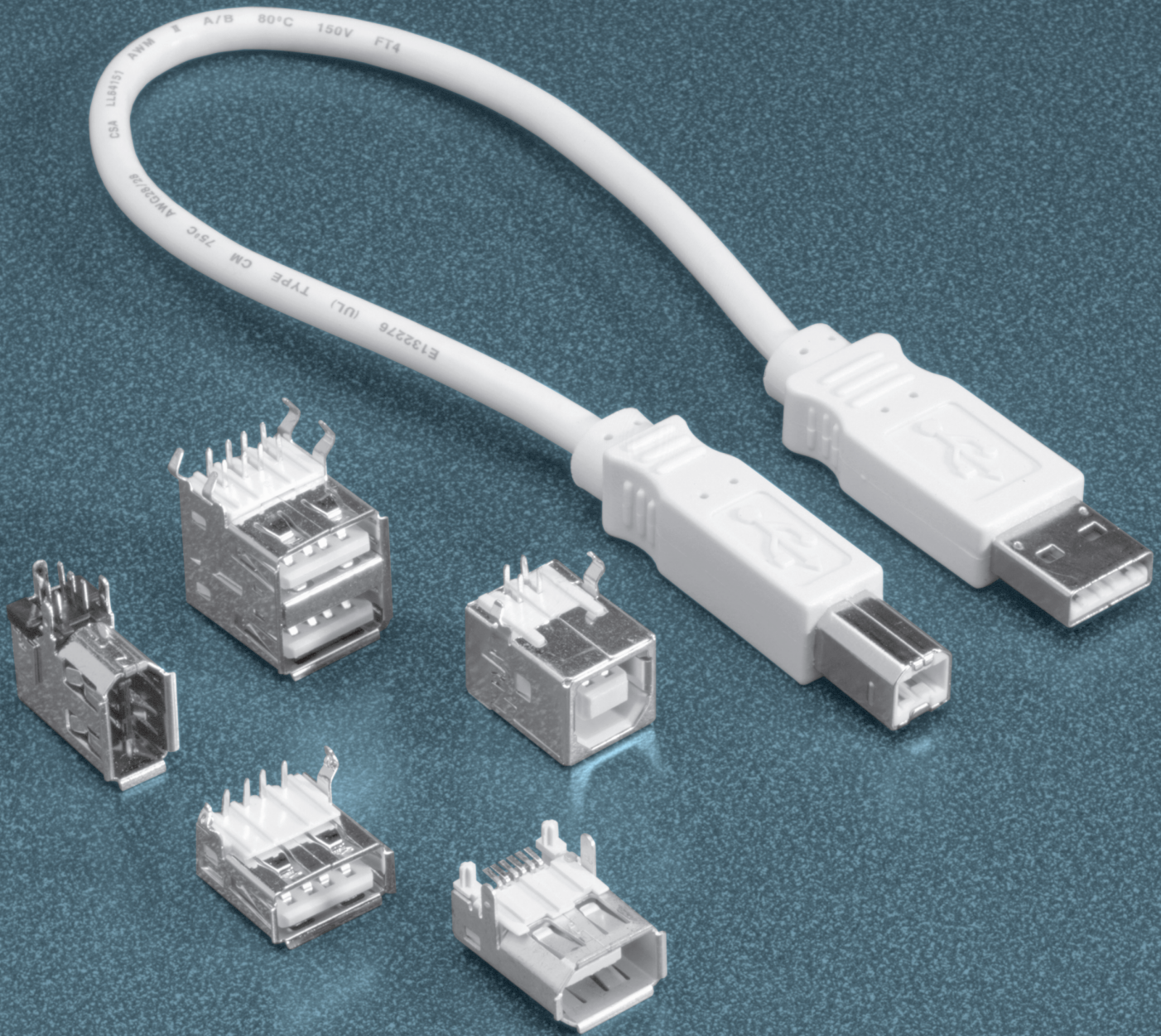


USB / 1394 CONNECTORS & CABLES

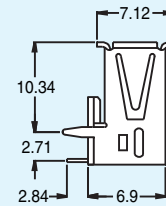
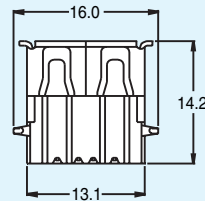
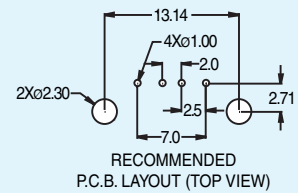
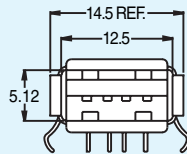


Power Dynamics USB/1394 Connectors and Cables provide a low cost, high quality solution to support over 127 devices including personal computers and peripherals. PDI USB Connectors and Cables are in accordance with all USB-IF specifications.

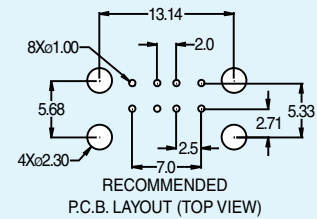
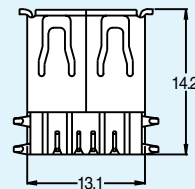
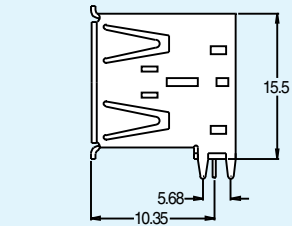
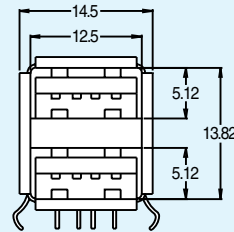
PDI[®]
Power Dynamics, Inc.

USB / 1394 CONNECTORS & CABLES

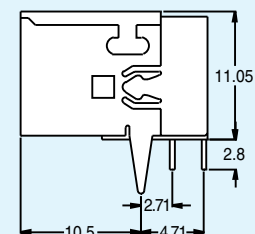
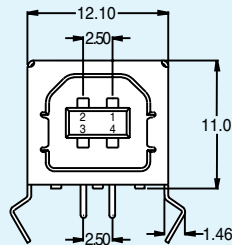
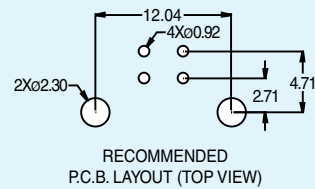
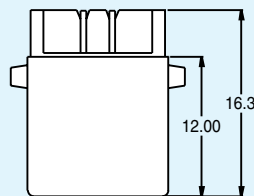
USB-FA1RP31



USB-FA2RP31



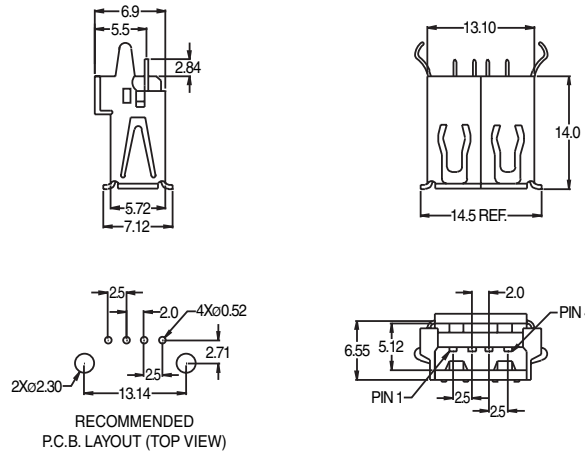
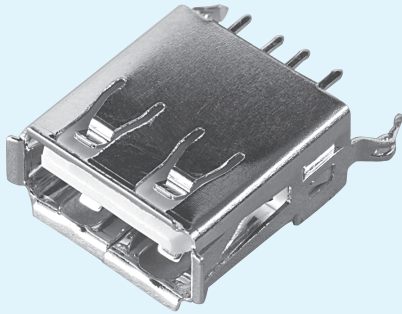
USB-FB1RP31



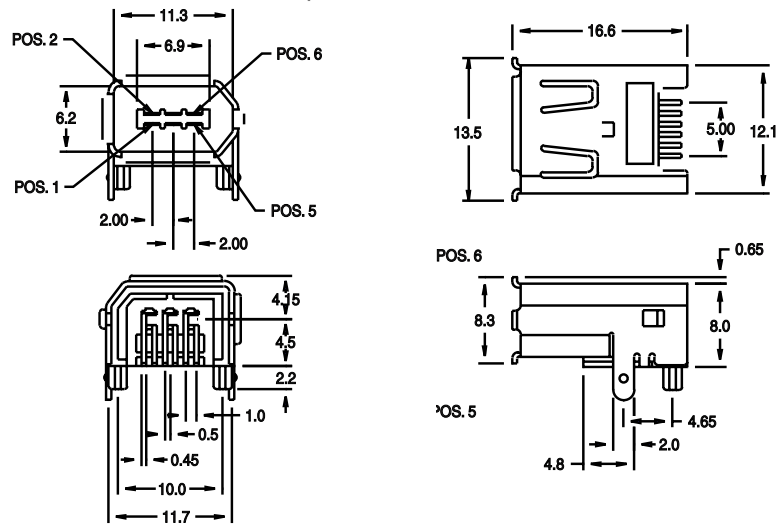
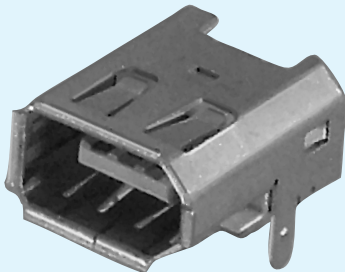
Specifications subject to change without notice. Dimensions in mm.

USB / 1394 CONNECTORS & CABLES

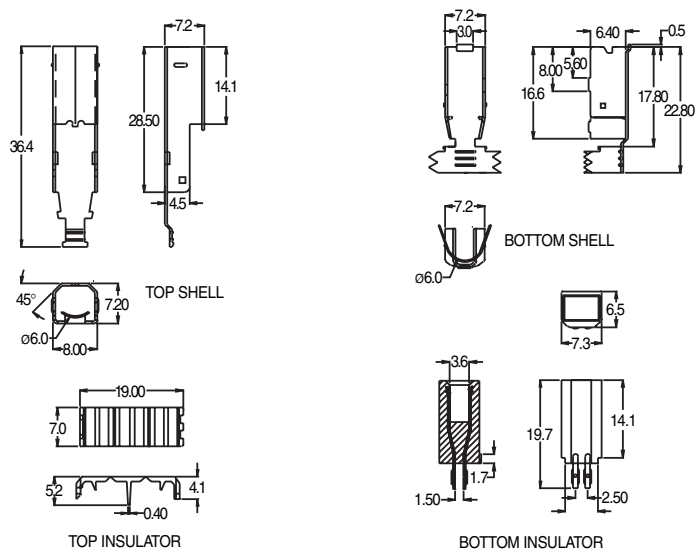
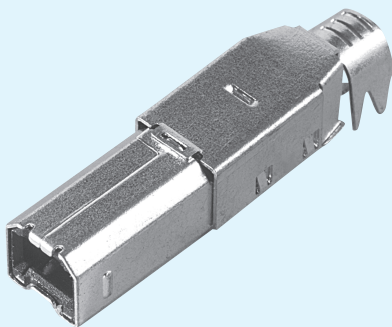
USB-FA1SP31



USB-MA1SS31



USB-MB1SS31



Available in the A-Type (USB-MA1SS31) Specifications subject to change without notice. Dimensions in mm.

UNIVERSAL SERIAL BUS EXAMPLE & ORDERING CODE

USB - **F** **A** **2** **R** **P** **3** **1**

GENDER:	MALE = M FEMALE = F
BODY STYLE:	"A" BODY STYLE = A "B" BODY STYLE = B
NUMBER OF PORTS:	1 PORT = 1 2 PORTS (BODY STYLE "A" ONLY) = 2
CONTACT TYPE:	STRAIGHT = S RIGHT ANGLE = R
TERMINAL TYPE:	PCB TERMINALS = P SOLDER TERMINALS = S
INSULATOR COLOR:	BEIGE = 1 BLACK = 2 WHITE = 3
PLATING:	SELECTIVE GOLD FLASH = 1 SELECTIVE GOLD 10U" = 2 SELECTIVE GOLD 15U" = 3 SELECTIVE GOLD 30U" = 4

SPECIFICATIONS

USB SPECIFICATIONS

MATERIAL AND FINISH

Insulator:
PBT, UL 94V-0 rated.
Contact:
Phosphor Bronze,
Selective Gold over Nickel plated.
Shell:
Steel, tin over copper plated.

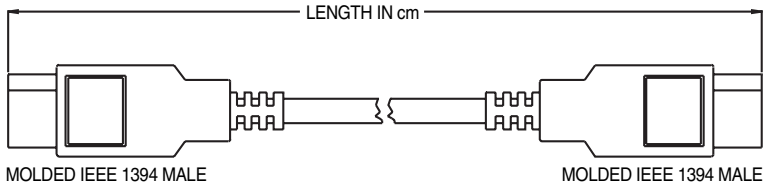
ELECTRICAL SPECIFICATIONS:

Voltage Current Rating:
1A, 30V AC.
Insulation Resistance:
1000 Mohm @ 500V DC.
Dielectric Withstanding Voltage:
750VAC for one minute.
Contact Resistance: 30 mohm max.



145 Algonquin Parkway, Whippany, NJ 07981 • 973-560-0019 • FAX: 973-560-0076
e-mail: sales@powerdynamics.com • www.powerdynamics.com

CABLE WORKSHEET

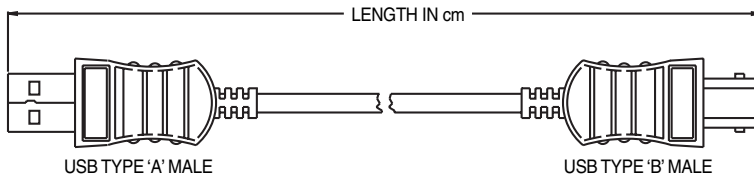


IEEE 1394 CABLE WORKSHEET
(PLEASE FILL IN ALL SPACES)

CABLE LENGTH: _____ cm

CABLE TYPE/AWG: _____

COLOR: _____



USB CABLE WORKSHEET
(PLEASE FILL IN ALL SPACES)

END A: _____

END B: _____

CABLE LENGTH: _____ cm

CABLE TYPE/AWG: _____

COLOR: _____

IEEE - 1394 CONNECTOR EXAMPLE & ORDERING CODE

FC - F R P 3 1

GENDER:	MALE = M FEMALE = F
BODY STYLE:	RIGHT ANGLE = R RIGHT ANGLE VERTICAL POST = RV
TERMINAL TYPE:	SURFACE MOUNT (RIGHT ANGLE "R" ONLY) = P THRU HOLE (RIGHT ANGLE "RV" ONLY) = SP
INSULATOR COLOR:	BEIGE = 1 BLACK = 2 WHITE = 3
PLATING:	SELECTIVE GOLD FLASH = 1 SELECTIVE GOLD 10µ" = 2 SELECTIVE GOLD 15µ" = 3 SELECTIVE GOLD 30µ" = 4

SPECIFICATIONS

IEEE 1394 SPECIFICATIONS

MATERIAL AND FINISH

Insulator:
PBT, UL 94V-0 rated.

Contact:
Copper Alloy, Selective Gold over Nickel plated.

Shell:
Copper Alloy or steel, tin over Nickel plated.

ELECTRICAL SPECIFICATIONS:

Voltage Current Rating:
1A per contact, 30VAC (rms).

Insulation Resistance:
100 Mohm min. @ 500 VDC

Dielectric Withstanding Voltage:
500VAC for one minute.

Contact Resistance: 30 mohm max.



145 Algonquin Parkway, Whippany, NJ 07981 • 973-560-0019 • FAX: 973-560-0076
e-mail: sales@powerdynamics.com • www.powerdynamics.com