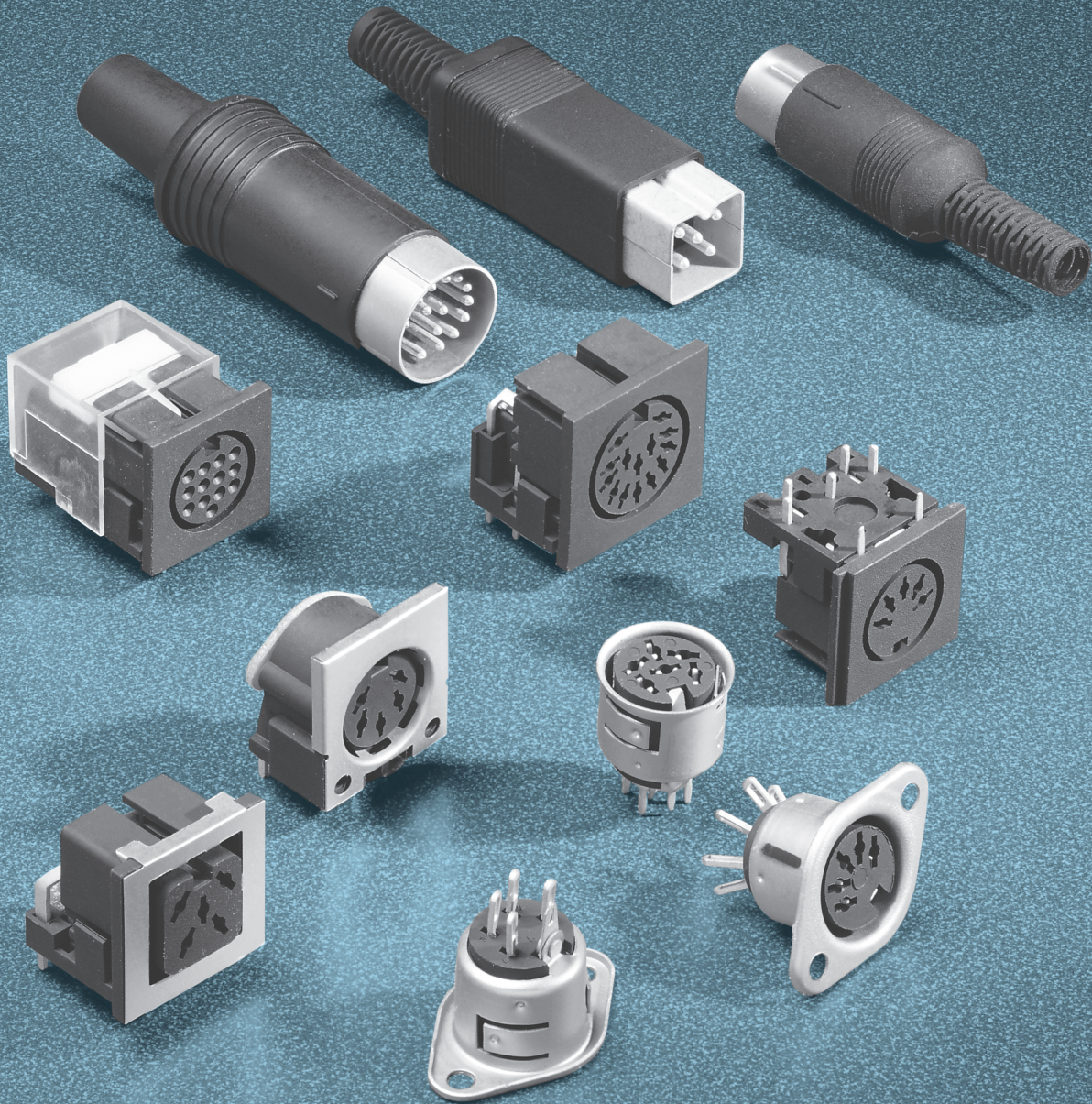


DIN CONNECTORS



Power Dynamics offers the industry's most extensive line of Circular DIN connectors. They are available in 3 through 8, 13 and 14 contacts. Units are compact and feature single-pole, single-throw switches, shielded versions, and screw-mount types. Power Dynamics DIN connectors are designed for quality and are 100% tested for reliability.

PDI[®]
Power Dynamics, Inc.

SPECIFICATIONS

MATERIAL AND FINISH:

Contacts:

Material: Brass
Plating: Tin

Insulator:

Material: Valox 420-SEO
Rating: UL 94V-0

Mechanical:

Mating Force: 4 kg max.
Unmating Force:
minimum: 1 kg
maximum: 3.5 kg

ELECTRICAL SPECIFICATIONS:

Rated Current: 2A AC/1A DC

Rated Voltage: 100 VAC / 24 VDC

Insulator Resistance: 100 Megaohm min. @ 500 VDC

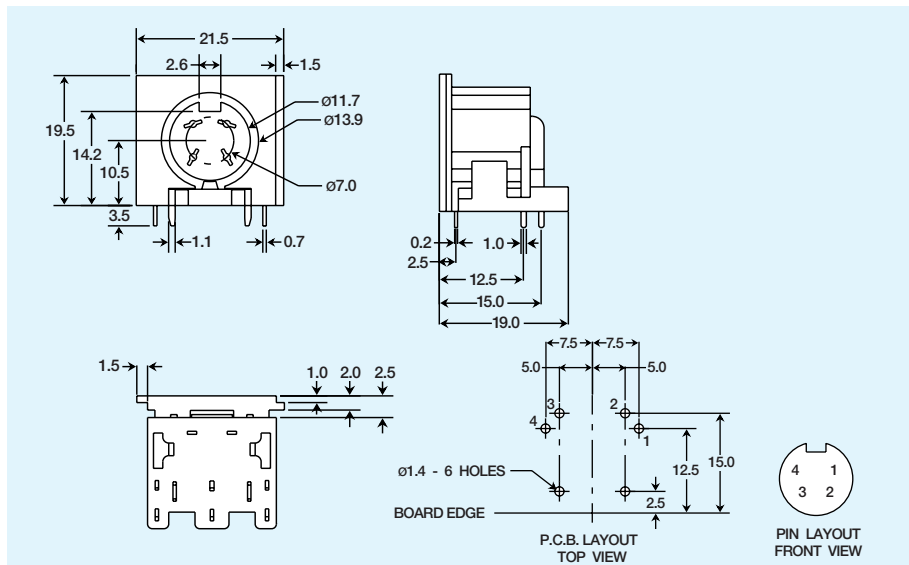
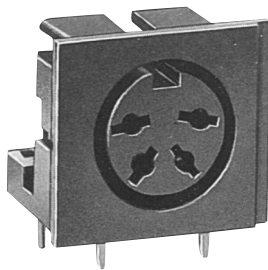
Contact Resistance: 20 milliohm max.

Dielectric Withstanding Strength:
500 VAC for 1 minute

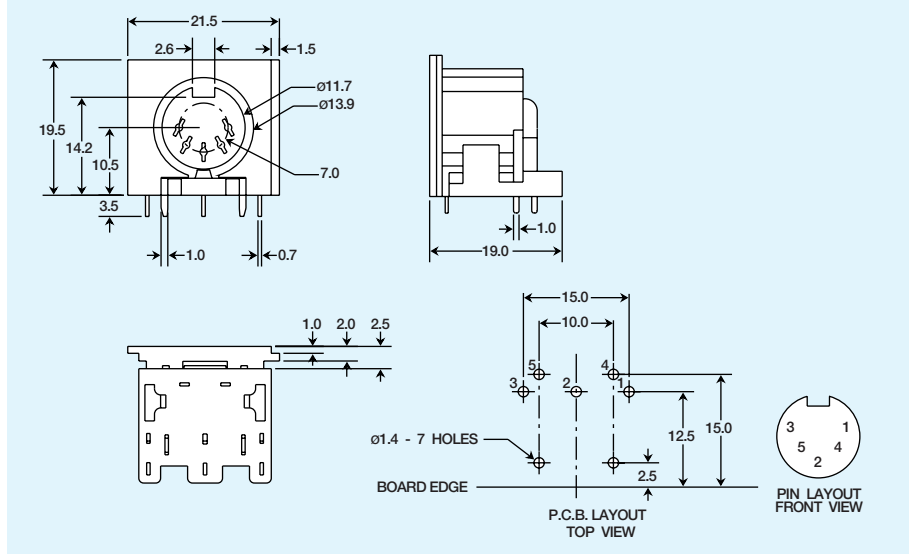
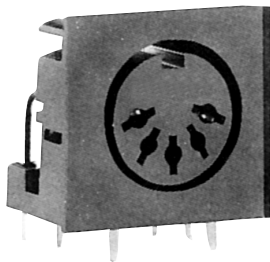
Life Test: 5,000 Cycles min. after test, contact resistance shall not exceed 100 milliohms



DS-014

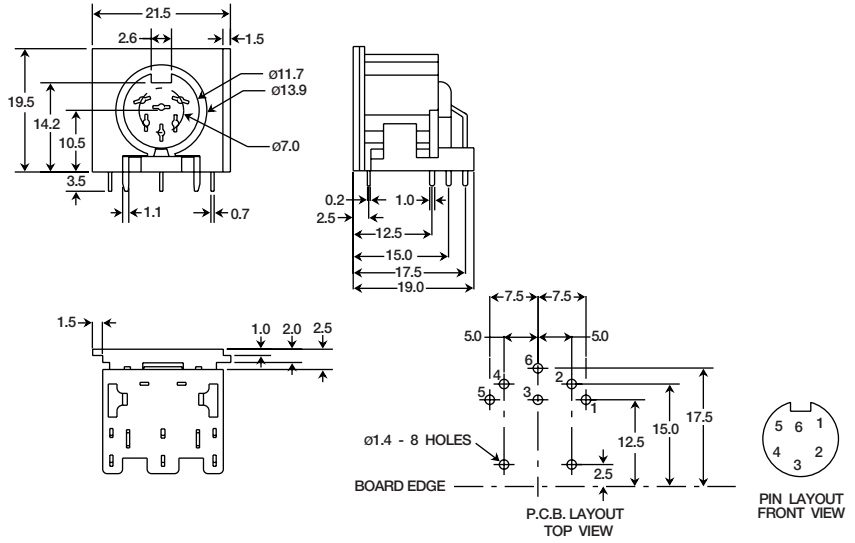
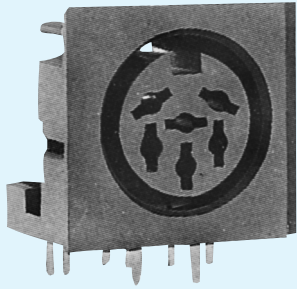


DS-115

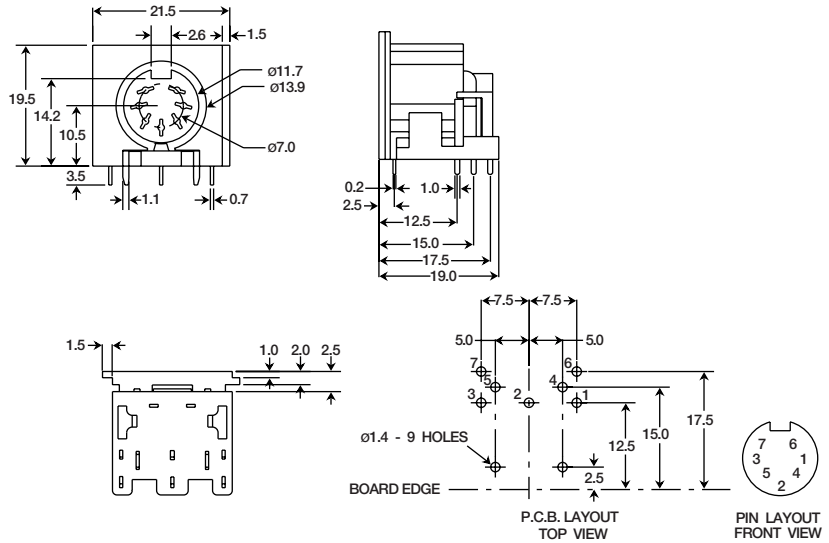


Specifications subject to change without notice. Dimensions in mm.
Mating plugs located on page 289.

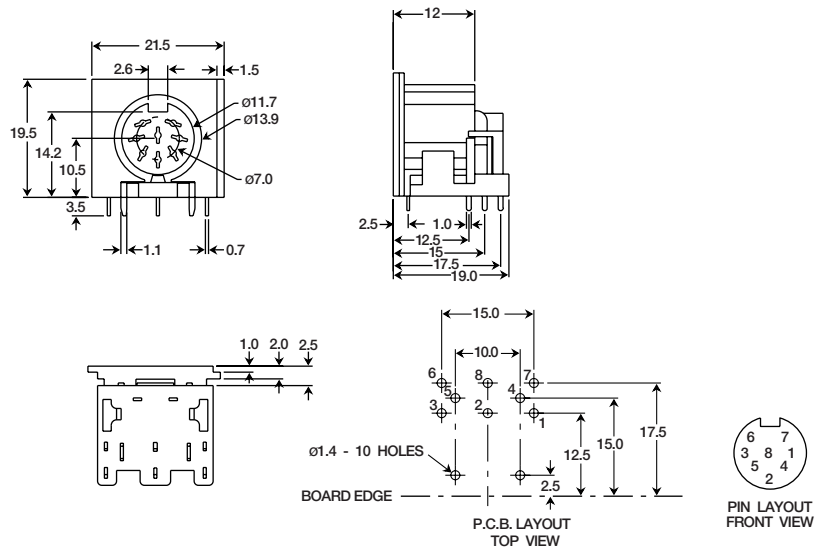
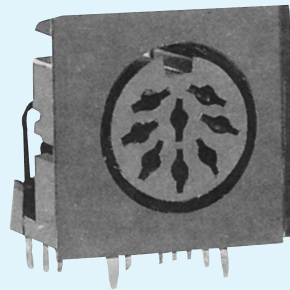
DS-016



DS-017

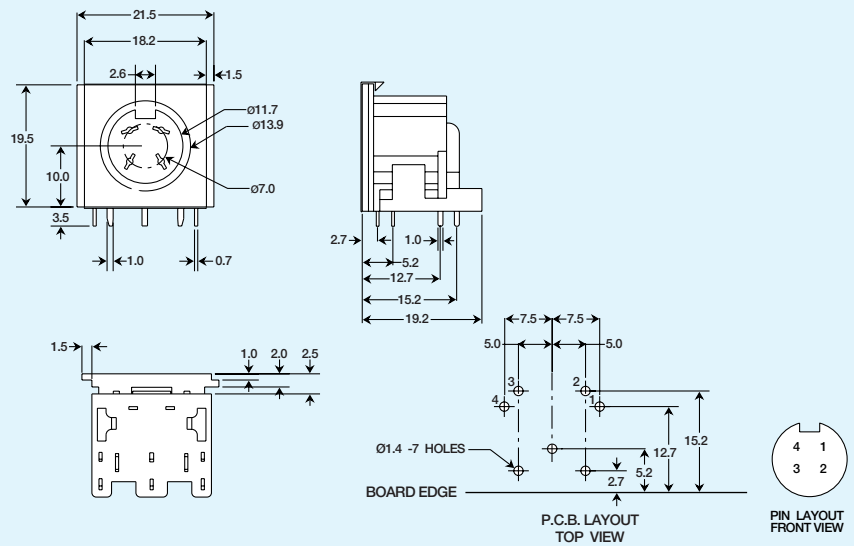
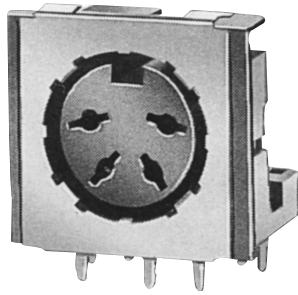


DS-018

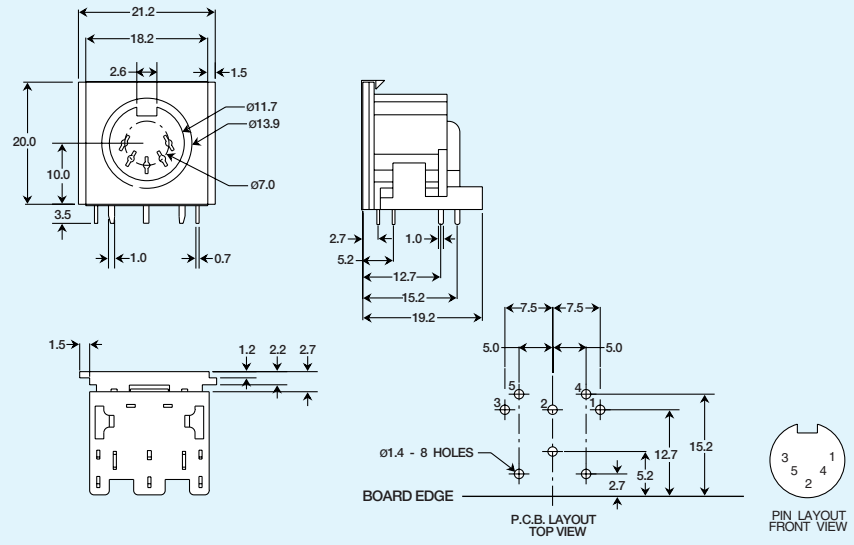
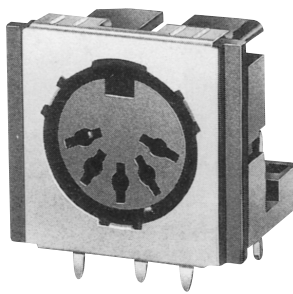


Specifications subject to change without notice. Dimensions in mm.
Mating plugs located on page 289.

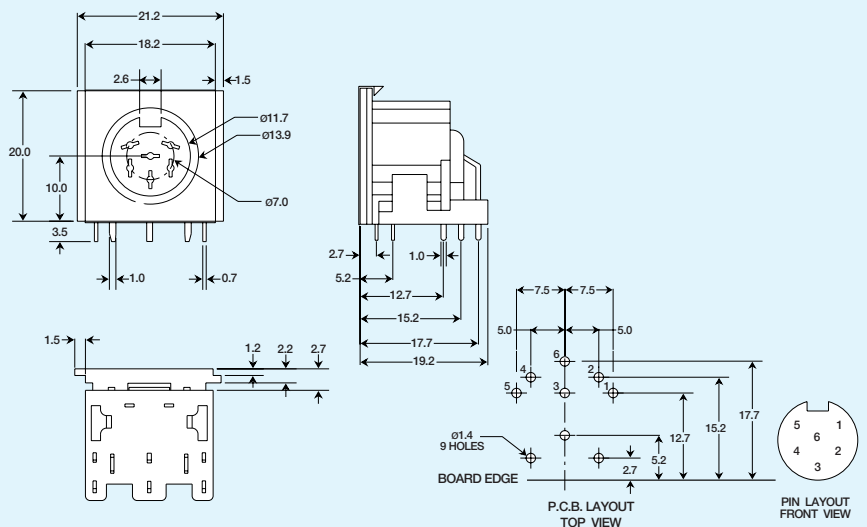
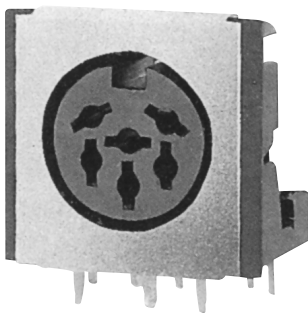
DS-104



DS-125



DS-106

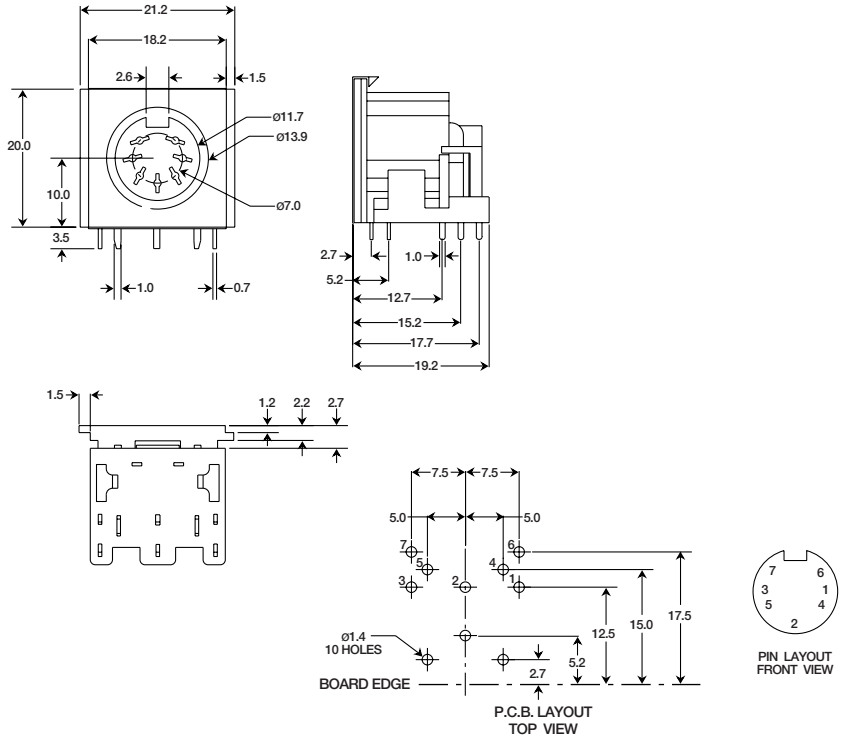
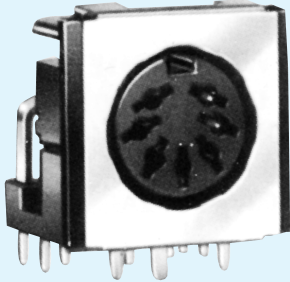


Specifications subject to change without notice. Dimensions in mm.
Mating plugs located on page 289.

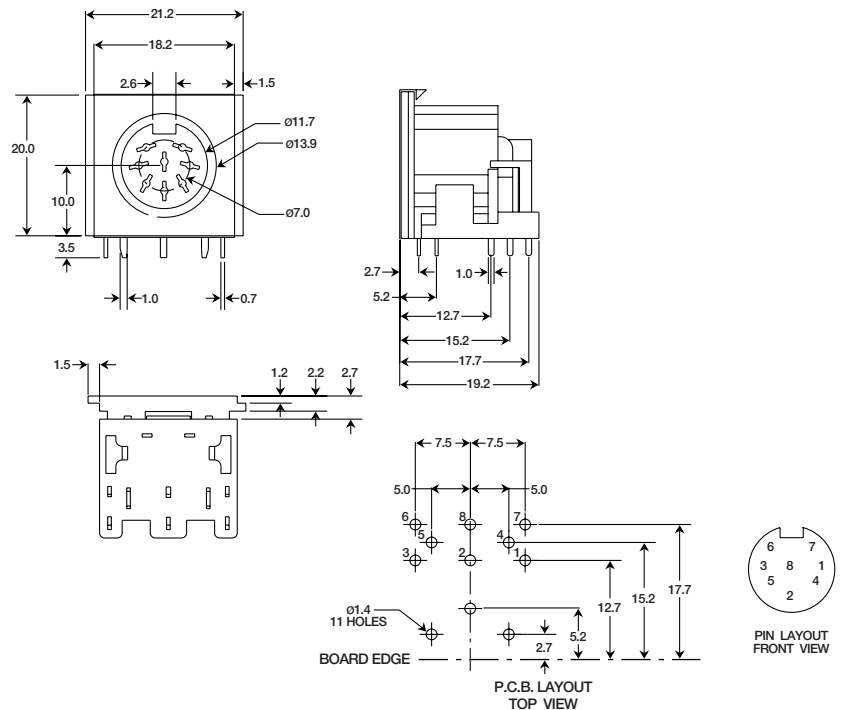
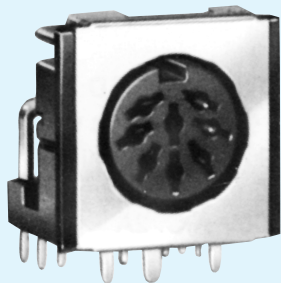


145 Algonquin Parkway, Whippany, NJ 07981 • 973-560-0019 • FAX: 973-560-0076
e-mail: sales@powerdynamics.com • www.powerdynamics.com

DS-107



DS-108

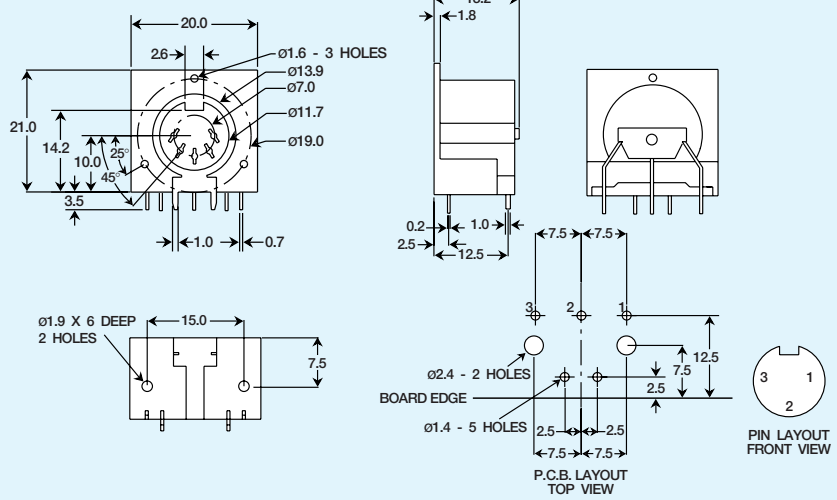
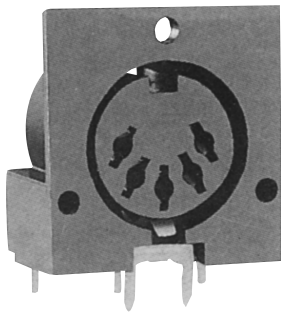


Specifications subject to change without notice. Dimensions in mm.
Mating plugs located on page 289.

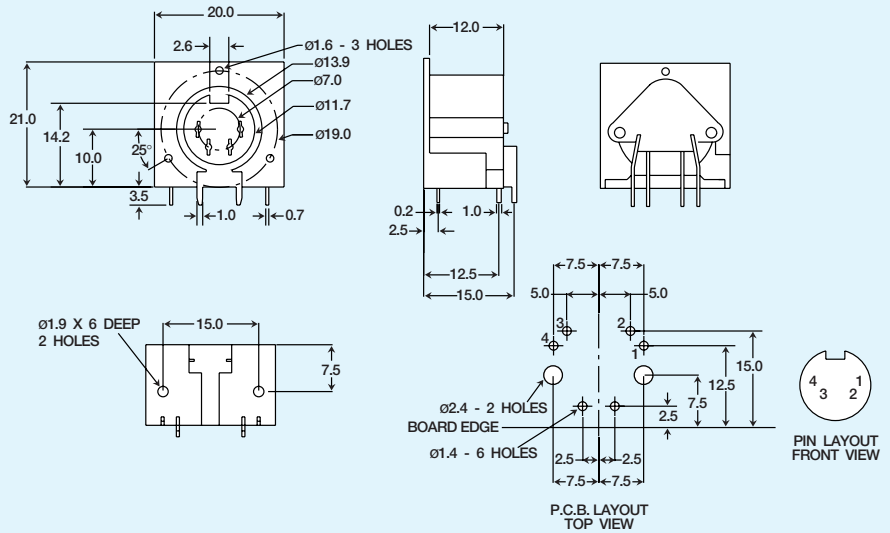
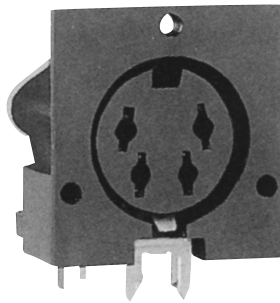
145 Algonquin Parkway, Whippany, NJ 07981 • 973-560-0019 • FAX: 973-560-0076
e-mail: sales@powerdynamics.com • www.powerdynamics.com



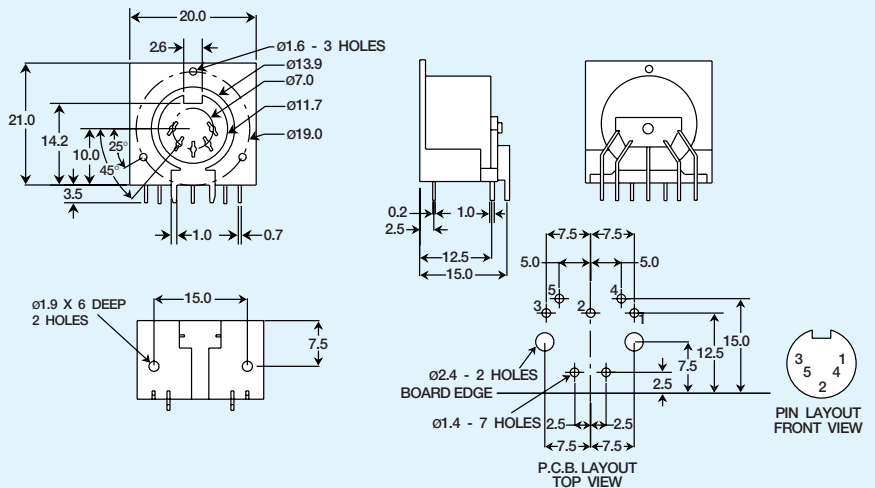
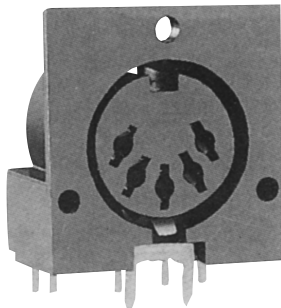
DS-023



DS-024



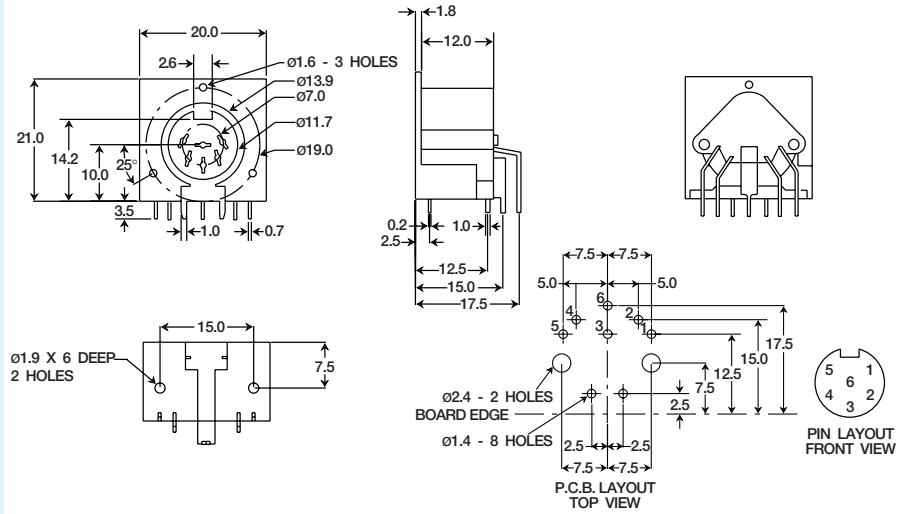
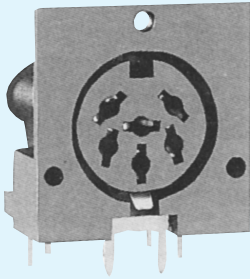
DS-025



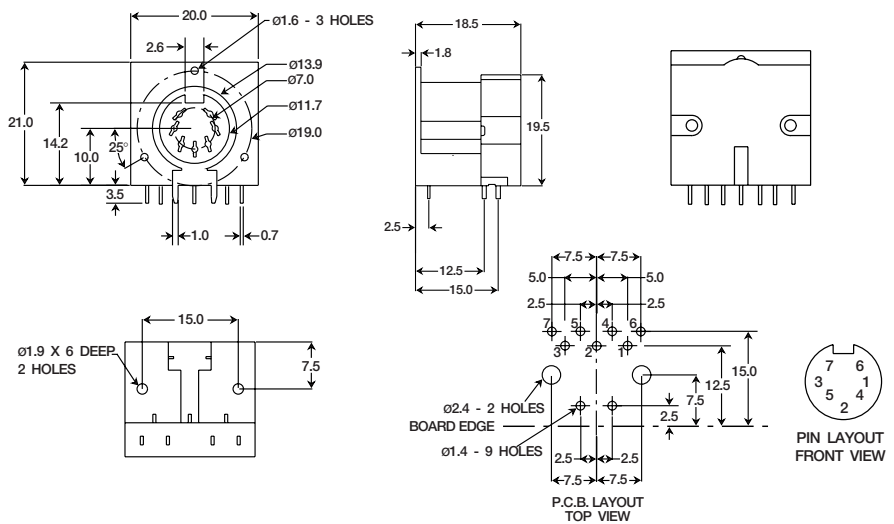
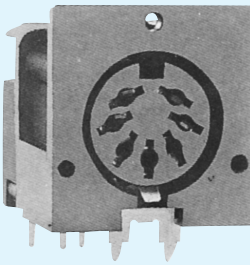
Specifications subject to change without notice. Dimensions in mm.
Mating plugs located on page 289.

145 Algonquin Parkway, Whippany, NJ 07981 • 973-560-0019 • FAX: 973-560-0076
e-mail: sales@powerdynamics.com • www.powerdynamics.com

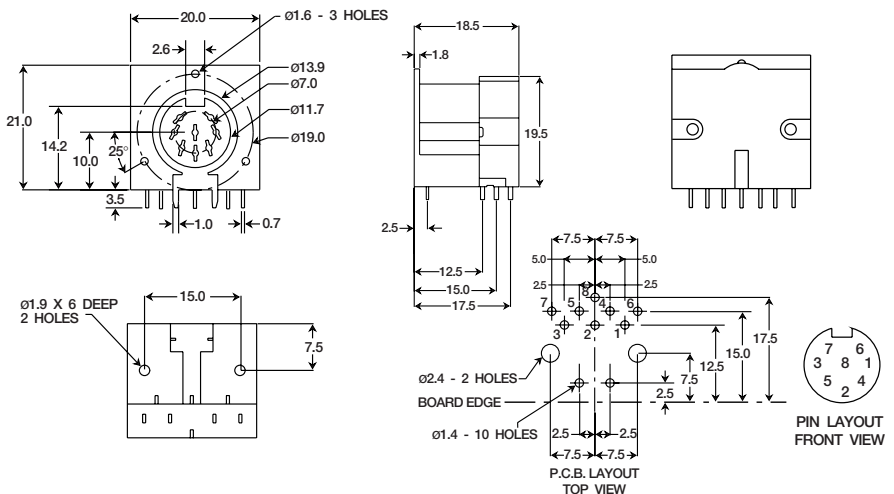
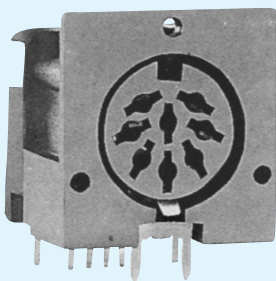
DS-026



DS-027



DS-028



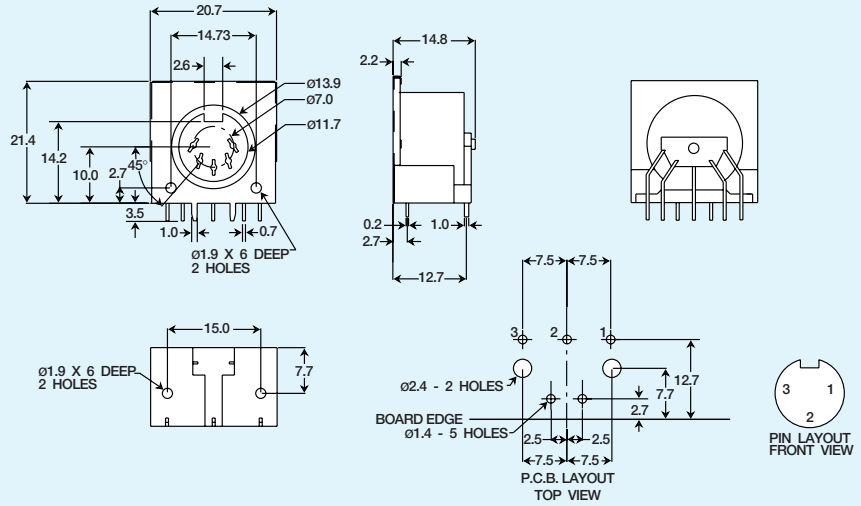
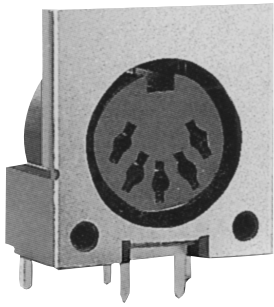
Specifications subject to change without notice. Dimensions in mm.
Mating plugs located on page 289.

145 Algonquin Parkway, Whippany, NJ 07981 • 973-560-0019 • FAX: 973-560-0076
e-mail: sales@powerdynamics.com • www.powerdynamics.com

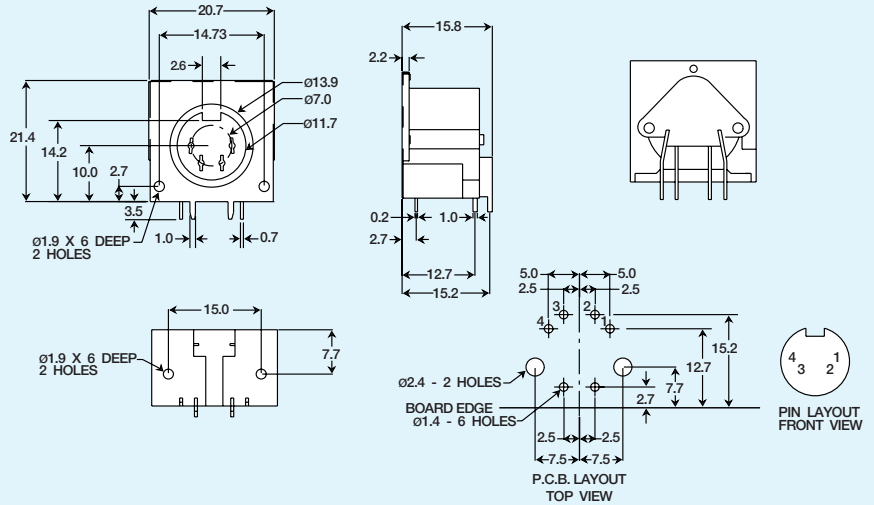
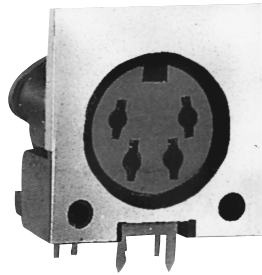


Shielded

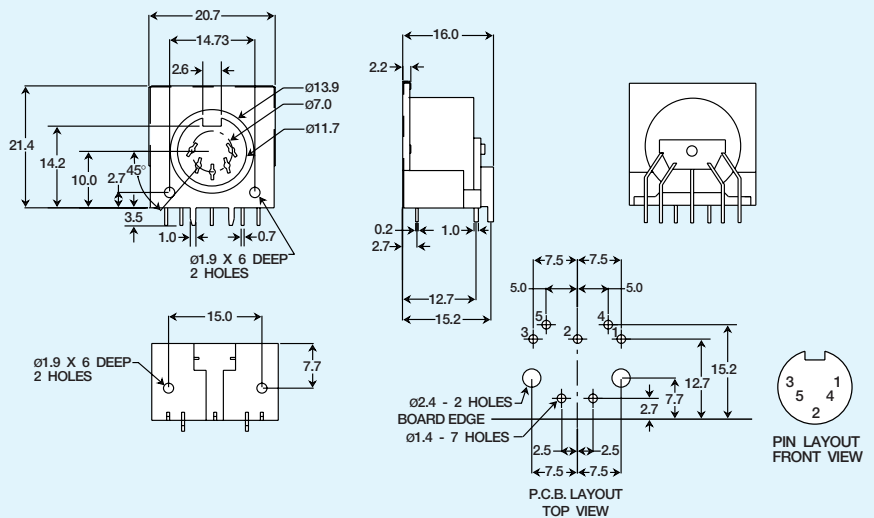
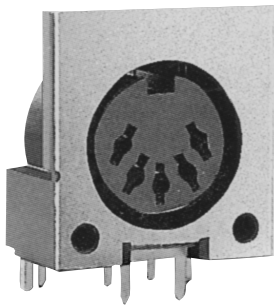
DS-033



DS-034



DS-035

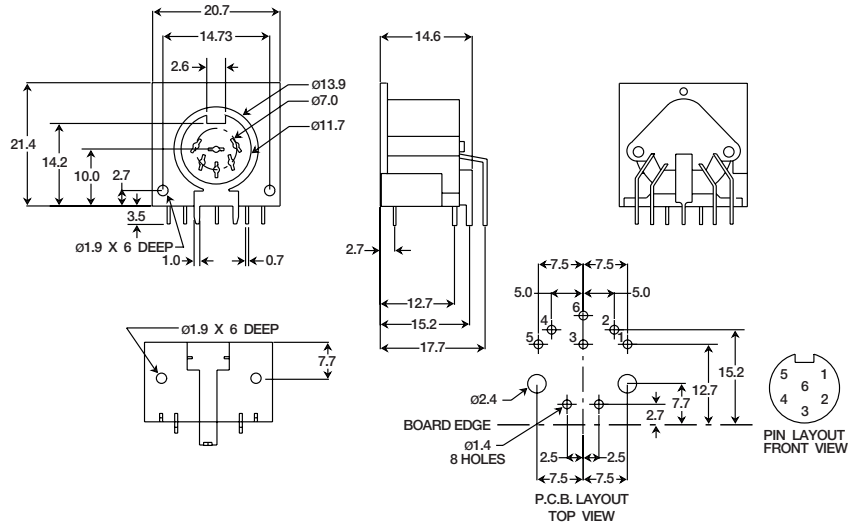
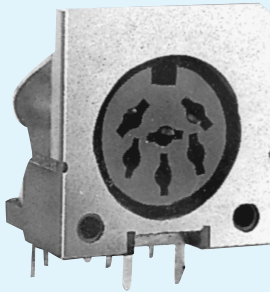


Specifications subject to change without notice. Dimensions in mm.
Mating plugs located on page 289.

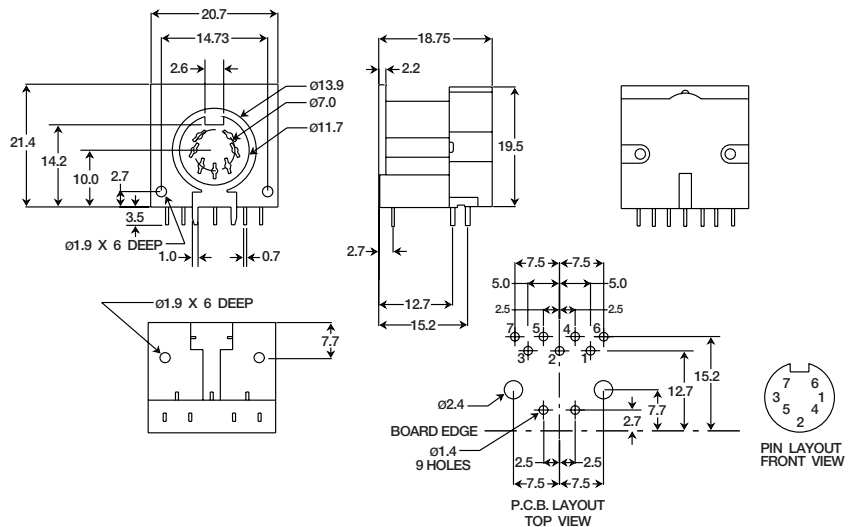
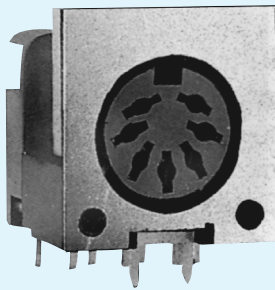
145 Algonquin Parkway, Whippany, NJ 07981 • 973-560-0019 • FAX: 973-560-0076
e-mail: sales@powerdynamics.com • www.powerdynamics.com

Shielded

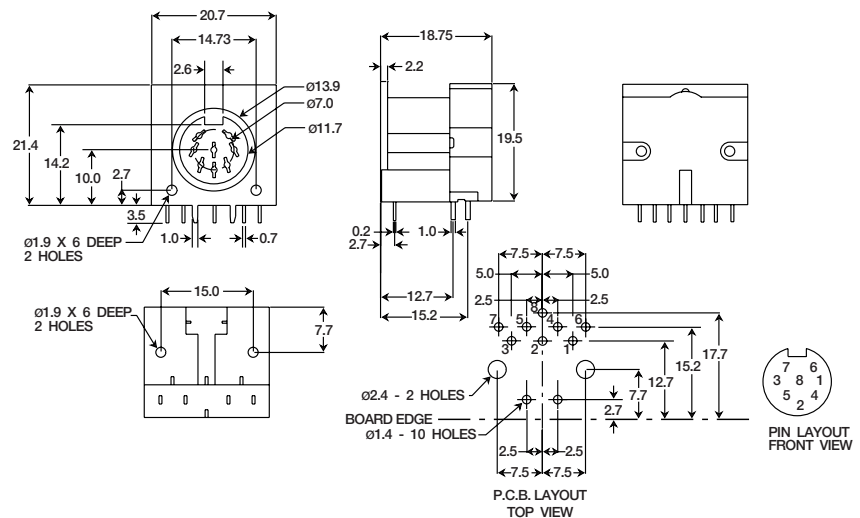
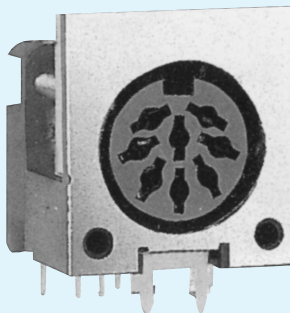
DS-036



DS-037



DS-038



Specifications subject to change without notice. Dimensions in mm.
Mating plugs located on page 289.

145 Algonquin Parkway, Whippany, NJ 07981 • 973-560-0019 • FAX: 973-560-0076
e-mail: sales@powerdynamics.com • www.powerdynamics.com

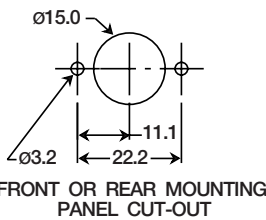
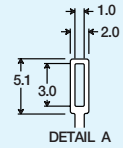
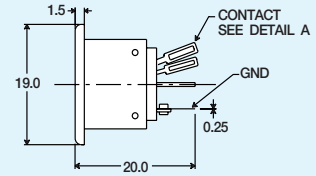
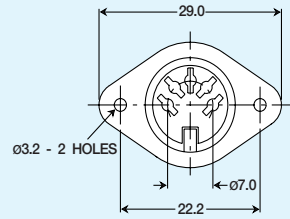
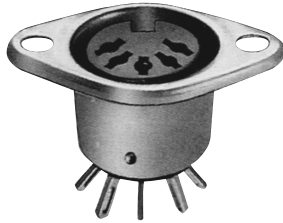
PDI[®]
Power Dynamics, Inc.

12

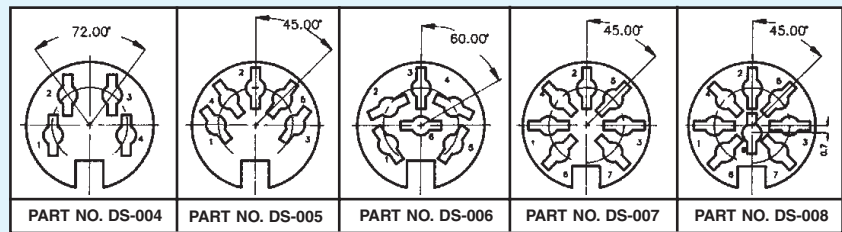
DIN CONNECTORS

Metal Cover

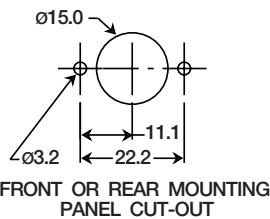
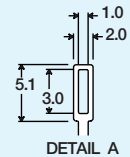
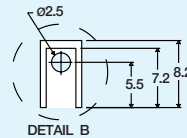
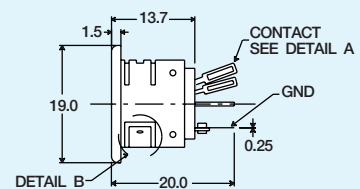
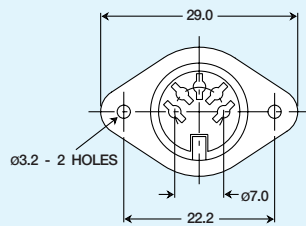
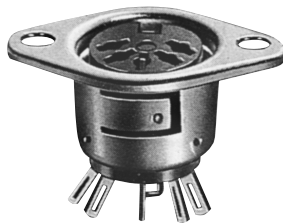
DS-005
(shown)



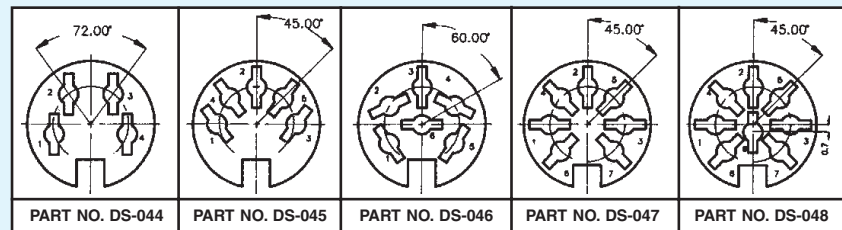
ARRANGEMENT OF CONTACTS



DS-045
(shown)



ARRANGEMENT OF CONTACTS



Specifications subject to change without notice. Dimensions in mm.
Mating plugs located on page 289.

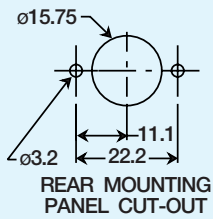
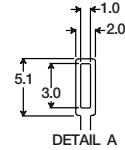
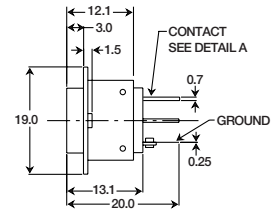
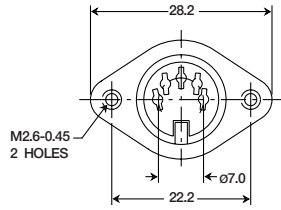
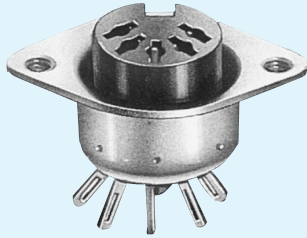


145 Algonquin Parkway, Whippany, NJ 07981 • 973-560-0019 • FAX: 973-560-0076
e-mail: sales@powerdynamics.com • www.powerdynamics.com

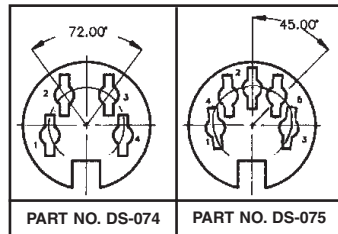
Metal Cover

DS-075

(shown)

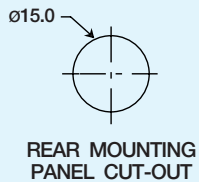
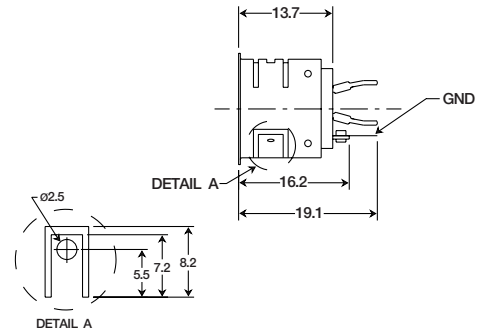
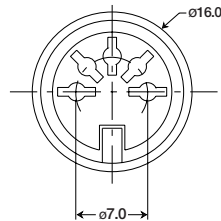
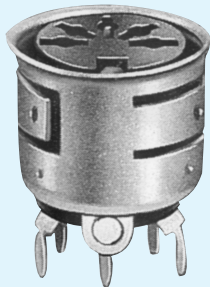


ARRANGEMENT OF CONTACTS

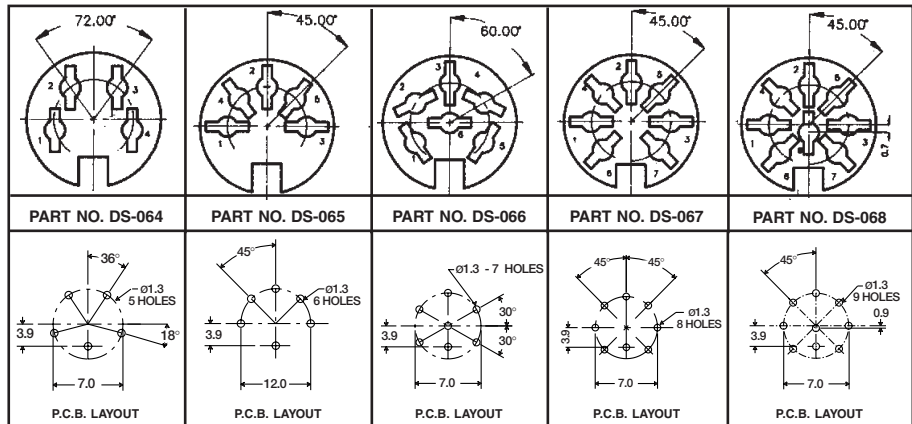


DS-065

(shown)



ARRANGEMENT OF CONTACTS



Specifications subject to change without notice. Dimensions in mm.
Mating plugs located on page 289.

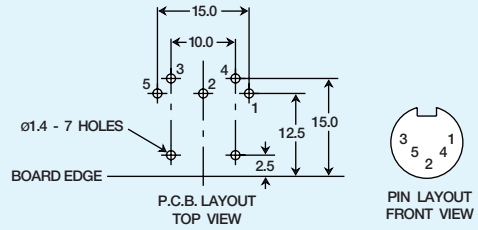
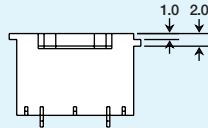
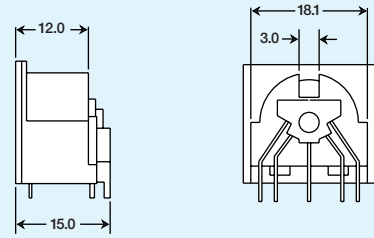
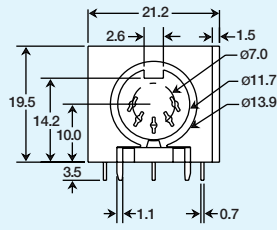
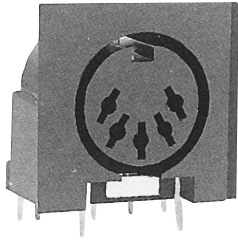
145 Algonquin Parkway, Whippany, NJ 07981 • 973-560-0019 • FAX: 973-560-0076
e-mail: sales@powerdynamics.com • www.powerdynamics.com



12

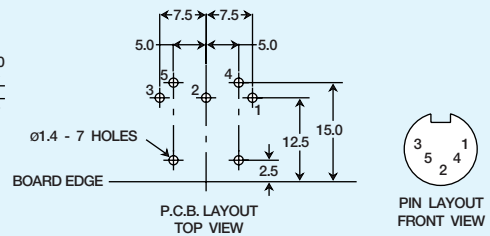
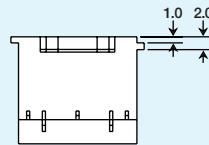
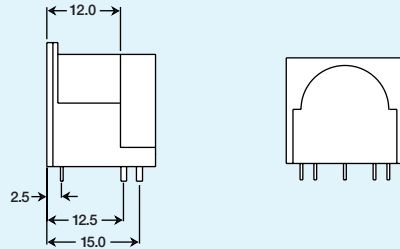
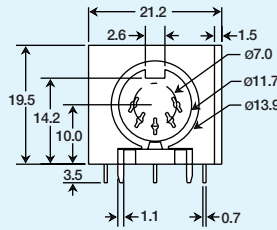
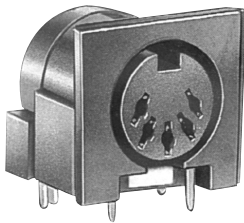
DIN CONNECTORS

DS-015



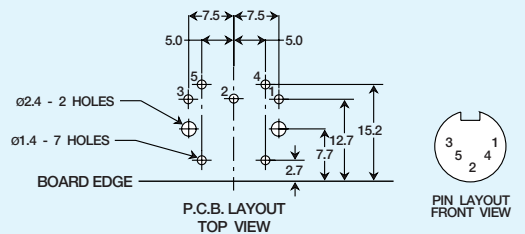
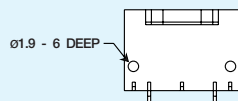
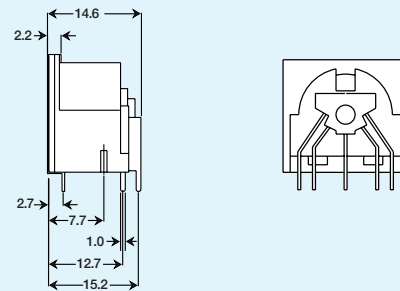
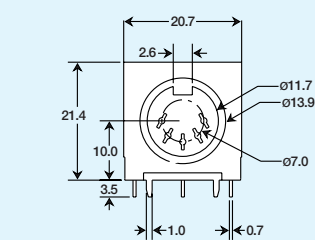
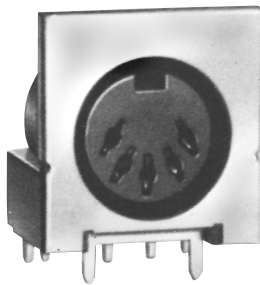
DS-015-C

(with covered terminals)



DS-105

(with shield)

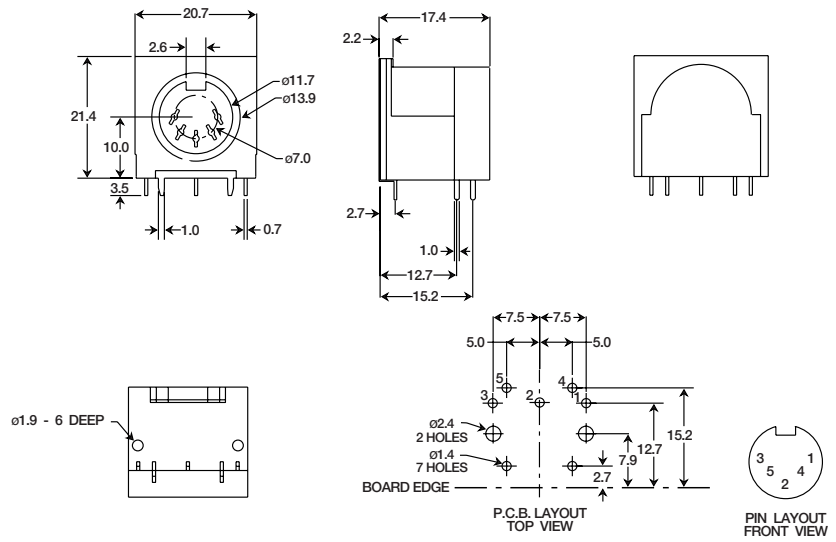
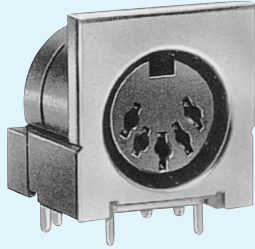


Specifications subject to change without notice. Dimensions in mm.
Mating plugs located on page 289.

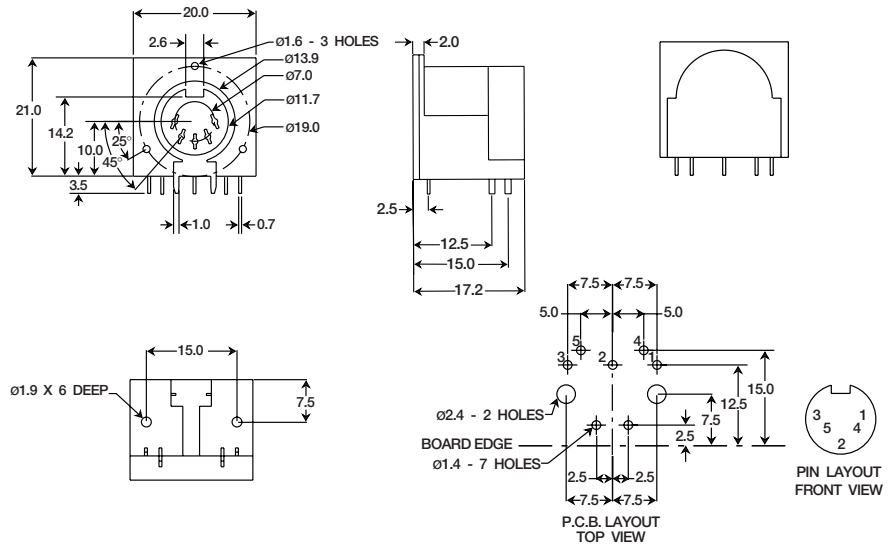
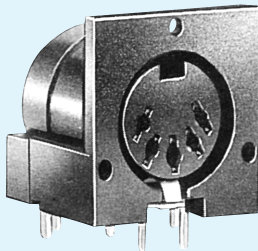


145 Algonquin Parkway, Whippany, NJ 07981 • 973-560-0019 • FAX: 973-560-0076
e-mail: sales@powerdynamics.com • www.powerdynamics.com

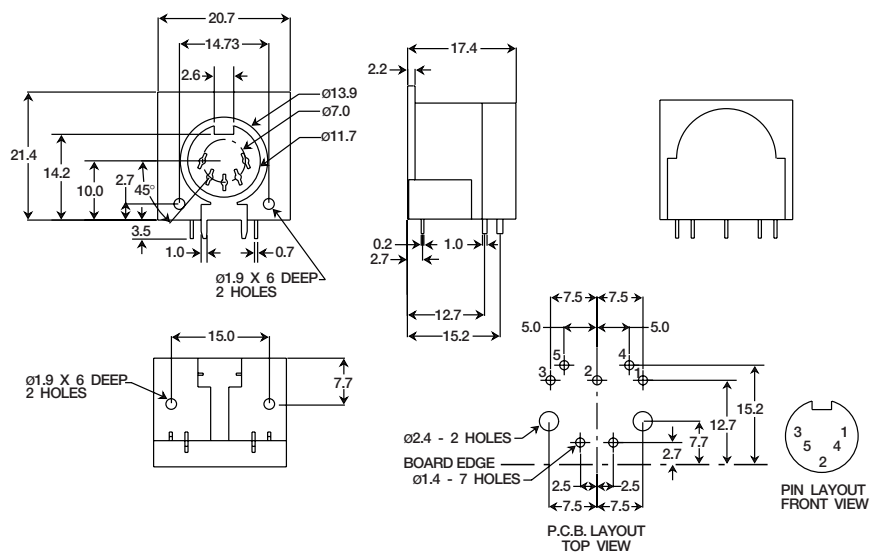
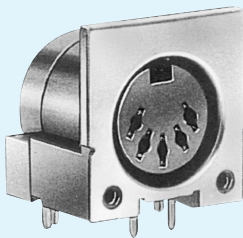
DS-105-C
(with shield and covered terminals)



DS-025-C
(with covered terminals)



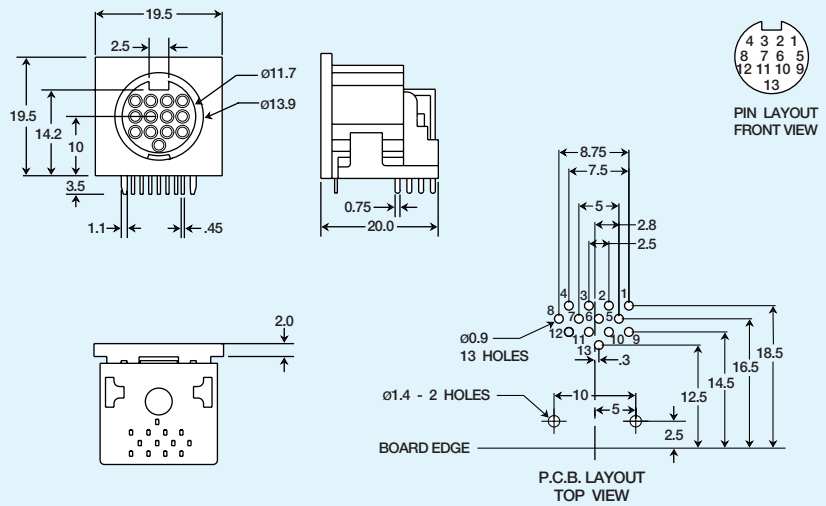
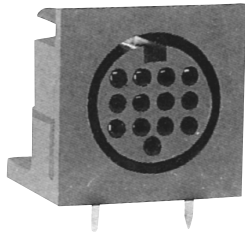
DS-035-C
(with shield and covered terminals)



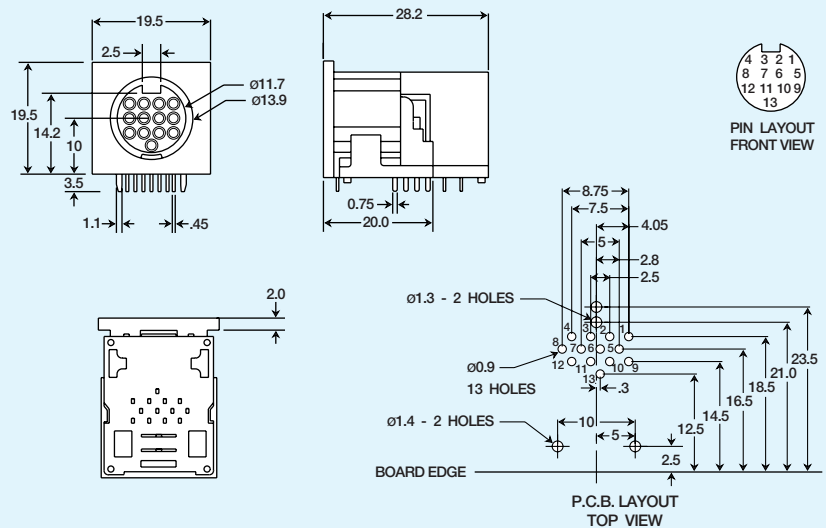
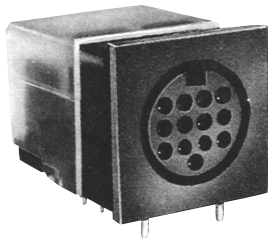
Specifications subject to change without notice. Dimensions in mm.
Mating plugs located on page 289.

13 and 14 Pin Sockets

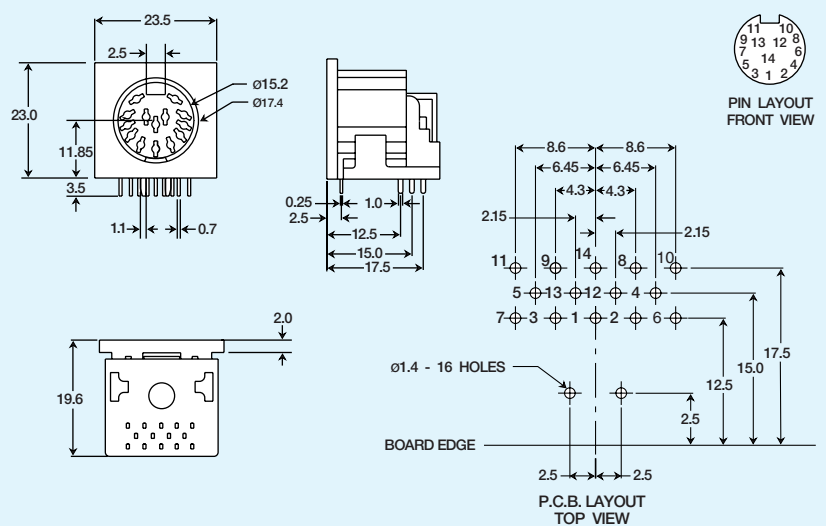
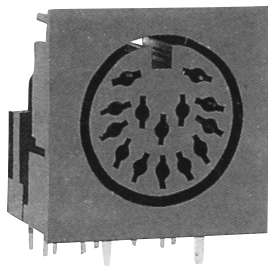
DS-101



DS-103 (with switch)



DS-102



Specifications subject to change without notice. Dimensions in mm.
Mating plugs located on page 287.

12

DIN CONNECTORS



145 Algonquin Parkway, Whippany, NJ 07981 • 973-560-0019 • FAX: 973-560-0076
e-mail: sales@powerdynamics.com • www.powerdynamics.com

SPECIFICATIONS

ELECTRICAL SPECIFICATIONS:

Rated Current: 1A

Rated Voltage: 12 VDC

Insulator Resistance: 50 Megaohm min. @ 250 VDC

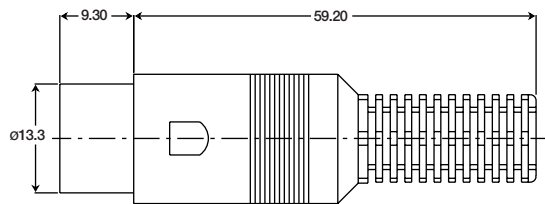
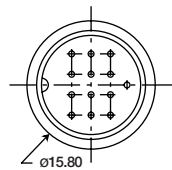
Dielectric Withstanding Strength:
250 VAC for 1 minute

Housing Material: Nylon UL 94V-0



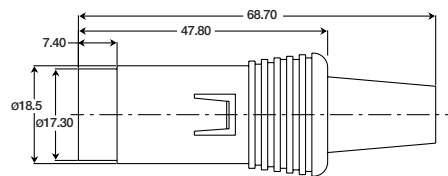
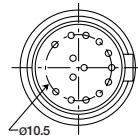
13 and 14 Pin Plugs

DP-101



MATES TO DS-101 AND DS-103

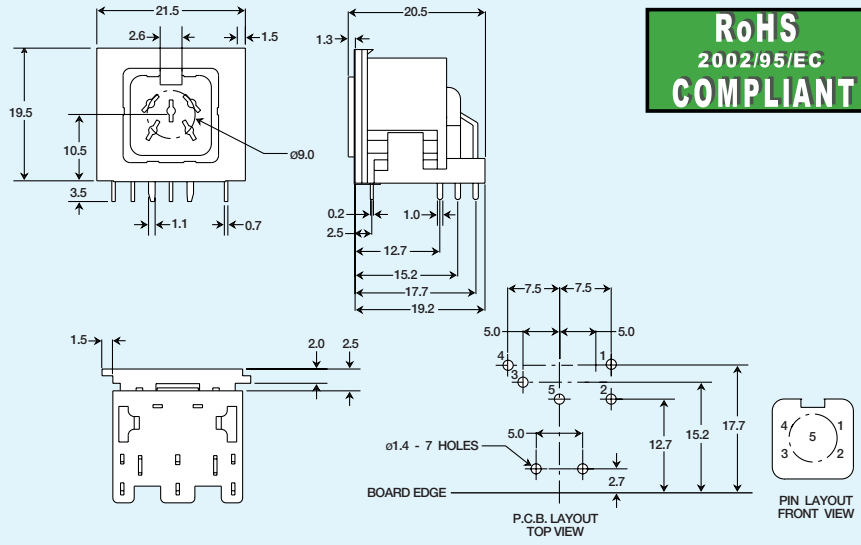
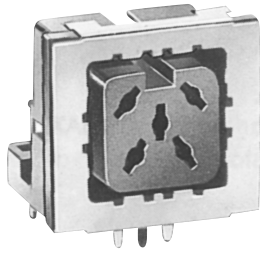
DP-102



MATES TO DS-102

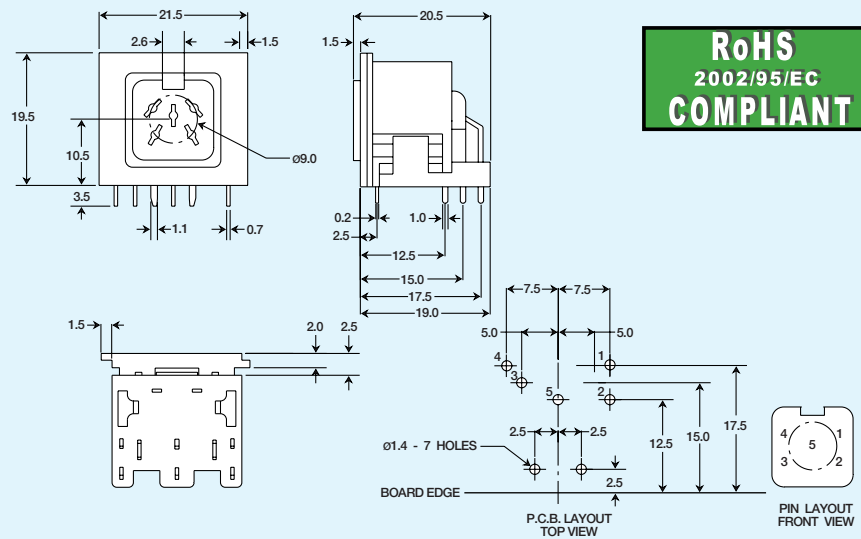
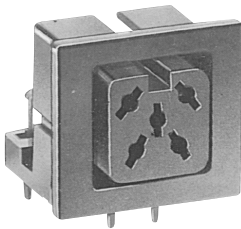
Specifications subject to change without notice. Dimensions in mm.
Custom cables also available. See page 290.

DS-215



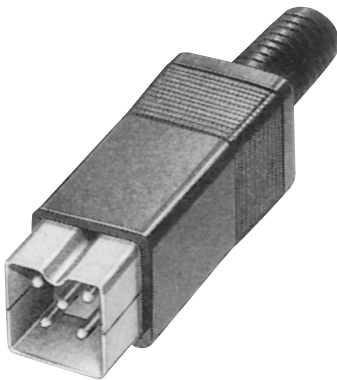
RoHS
2002/95/EC
COMPLIANT

DS-205



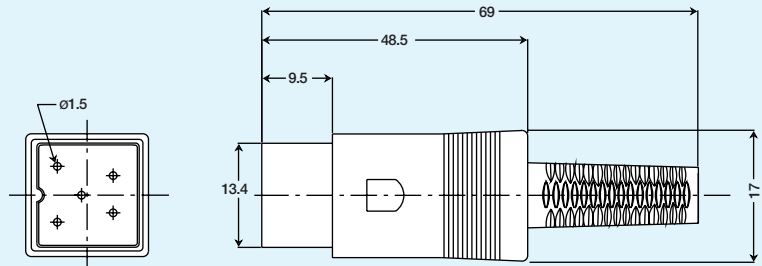
RoHS
2002/95/EC
COMPLIANT

DP-215



Rated Current: 1A
Rated Voltage: 12 VDC
Insulator Resistance: 50 Megaohm min. @ 250 VDC
Dielectric Withstanding Strength:
 250 VAC for 1 minute
Housing Material: Nylon UL 94V-0

RoHS
2002/95/EC
COMPLIANT



Specifications subject to change without notice. Dimensions in mm.
 Custom cables also available. See page 290.



145 Algonquin Parkway, Whippany, NJ 07981 • 973-560-0019 • FAX: 973-560-0076
 e-mail: sales@powerdynamics.com • www.powerdynamics.com

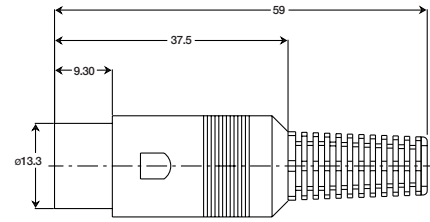
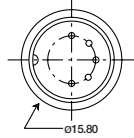
DIN Plugs

DP-015
(shown)



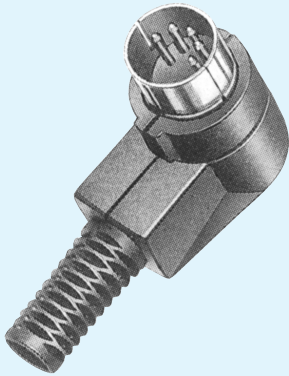
Rated Current: 1A
Rated Voltage: 12 VDC
Insulator Resistance: 50 Megaohm min. @ 250 VDC
Dielectric Withstanding Strength: 250 VAC for 1 minute
Housing Material: Nylon UL 94V-0

RoHS
2002/95/EC
COMPLIANT



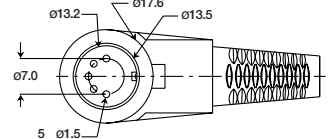
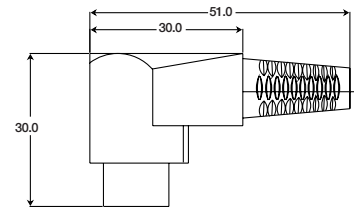
CONTACT ARRANGEMENTS						
PART NO.	DP-013	DP-014	DP-015 180°	DP-016	DP-017	DP-018 270°

DP-045
(shown)



Rated Current: 1A
Rated Voltage: 12 VDC
Insulator Resistance: 100 Megaohm min. @ 250 VDC
Dielectric Withstanding Strength: 250 VAC for 1 minute
Housing Material: Nylon UL 94V-0

RoHS
2002/95/EC
COMPLIANT



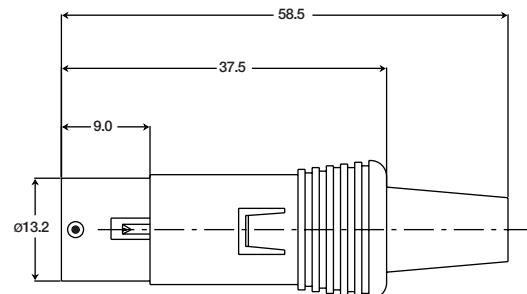
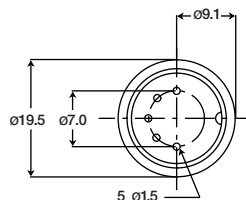
CONTACT ARRANGEMENTS						
PART NO.	DP-043	DP-044	DP-045	DP-046	DP-047	DP-048

DP-025



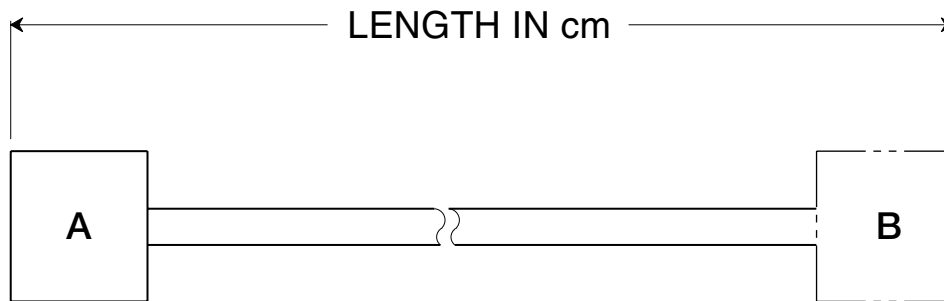
Rated Current: 1A
Rated Voltage: 12 VDC
Insulator Resistance: 50 Megaohm min. @ 250 VDC
Dielectric Withstanding Strength: 250 VAC for 1 minute
Housing Material: Nylon UL 94V-0

RoHS
2002/95/EC
COMPLIANT



Specifications subject to change without notice. Dimensions in mm.
 Custom cables also available. See page 290.

MOLDED CABLE ASSEMBLY



CABLE WORKSHEET

(PLEASE FILL IN ALL SPACES)

END A: (PDI PART NO.) _____

END B: (PDI PART NO.) _____ IF NONE SEE NEXT LINE

ROJ _____ cm STRIP _____ mm

CABLE LENGTH: _____ cm.

WIRE GAUGE: _____ AWG

SHIELDED OR UNSHIELDED _____

CABLE COLOR: _____