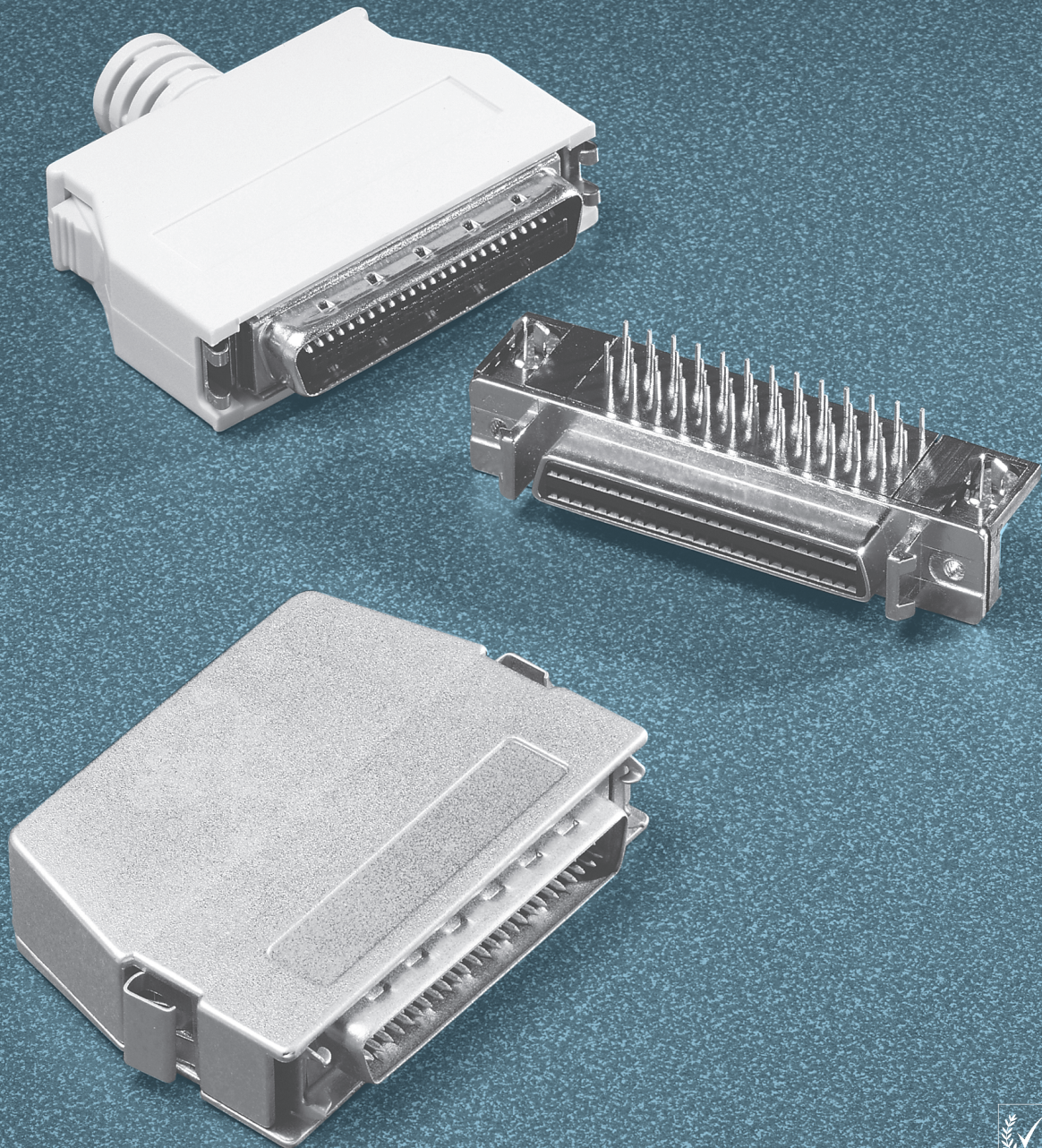


S.C.S.I. CONNECTORS



Power Dynamics Small Computer System Interface (S.C.S.I.) connectors offer excellent shielding against EMI/RFI interference with its nickel-plated steel shell. The 1.27mm high density layout uses a minimal amount of board space and has a D-Shell interface. All connectors are compatible to S.C.S.I.-2 and -3 standards. All PDI S.C.S.I.s carry the  and  safety approvals.

PDI[®]
Power Dynamics, Inc.

EXAMPLE & ORDERING CODE

PDI- 50 S V S - S - N [] []

NUMBER OF PINS: = 26
= 50
= 68

GENDER: MALE = S
FEMALE = R

PIN TYPE: RIGHT ANGLE = BLANK
STRAIGHT = S

TERMINATION TYPE: P.C. SOLDER = BLANK
WIRE SOLDER = S
I.D.C. = I

MATING FACE: 2-56 THREAD = BLANK
NO FLANGE = N
AUTOMATED ASSEMBLY = G

P.C.B. FACE: BOARD LOCK = BLANK
HOLE = H

GOLD PLATING: (XX is gold in micro inches) = GXX
SELECTIVE GOLD FLASH (STANDARD) = BLANK

SPECIFICATIONS

MATERIAL AND FINISH:

Shell:

Material: Zinc Alloy
Plating: Nickel
Thickness: Nickel: 40µ"

Contacts:

Material: Male Brass
Female Phosphor Bronze
Plating: Selective gold over nickel
Thickness: Selective gold flash over 30µ" nickel base

Insulator: P.B.T. and glass-fiber reinforced
UL 94V-0

ELECTRICAL SPECIFICATIONS:

Rated current: 1A max.

Insulation resistance: 5000 Megaohm min. @ 500 V

Contact resistance: 15 milliohm max.

Dielectric withstanding strength: 500 VAC @ 1 minute

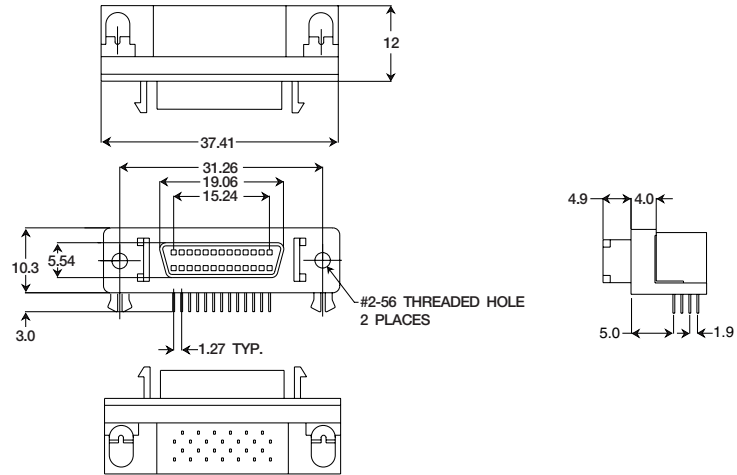
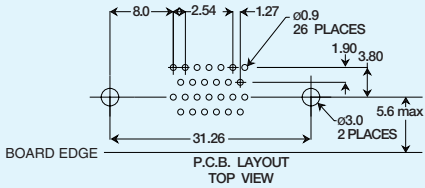
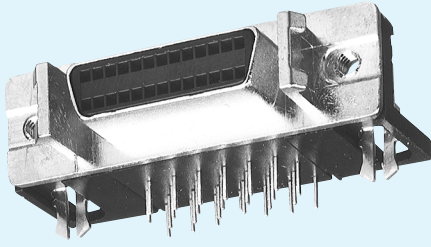
Temperature: -55°C to 105°C



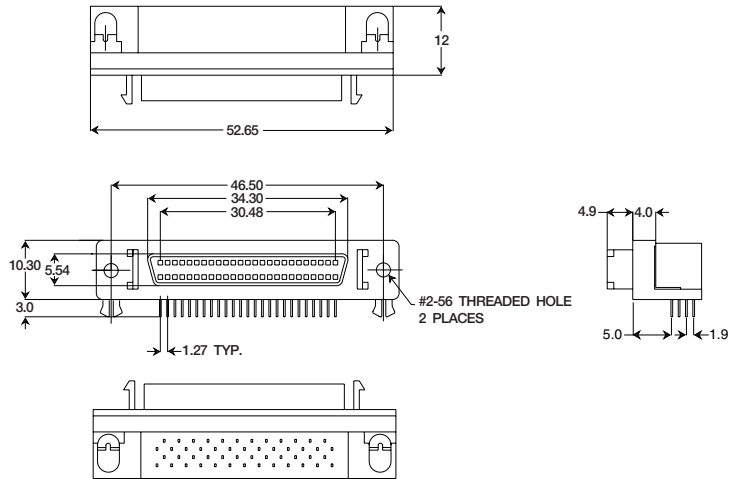
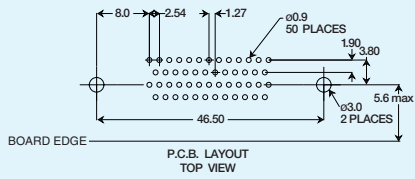
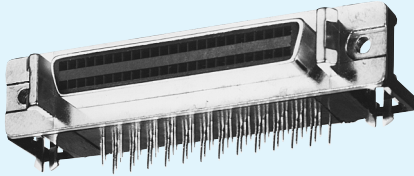
Right Angle, P.C.B.



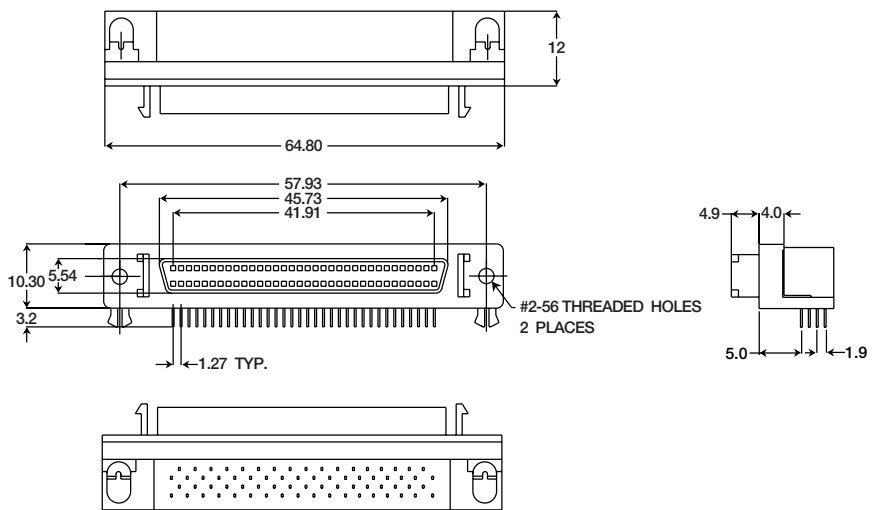
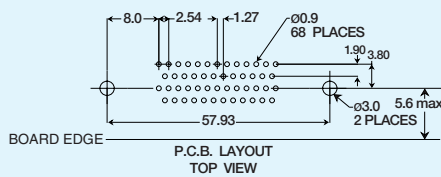
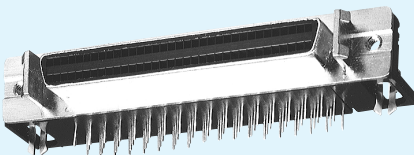
PDI-26RV



PDI-50RV



PDI-68RV



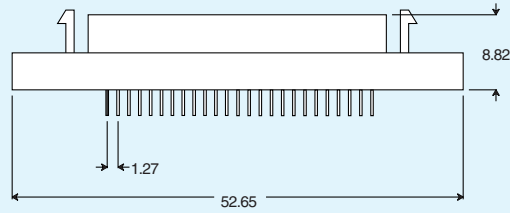
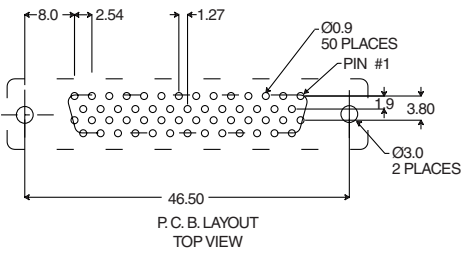
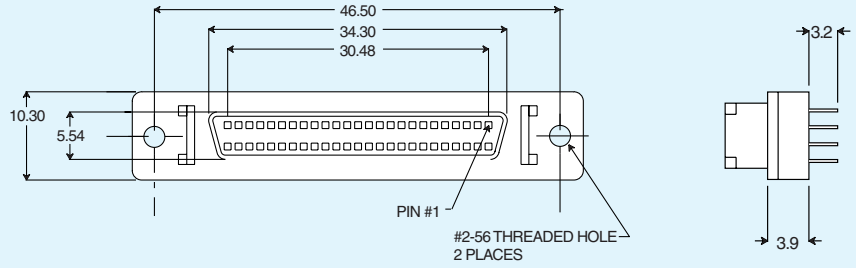
Specifications subject to change without notice. Dimensions in mm.

S.C.S.I. CONNECTORS

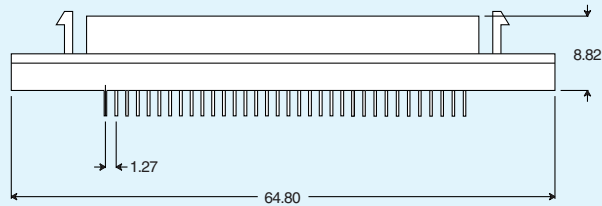
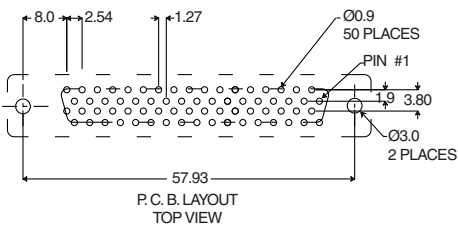
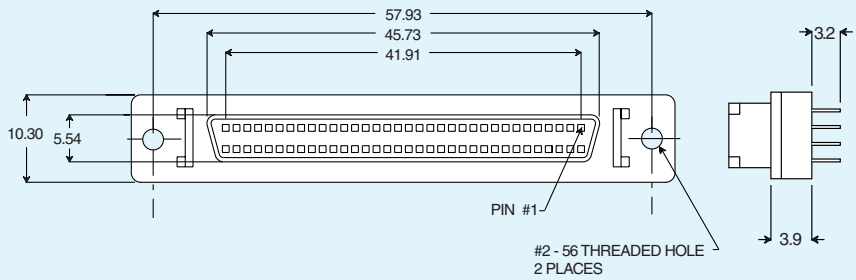
13

Straight, P.C.B.

PDI-50RVS



PDI-68RVS



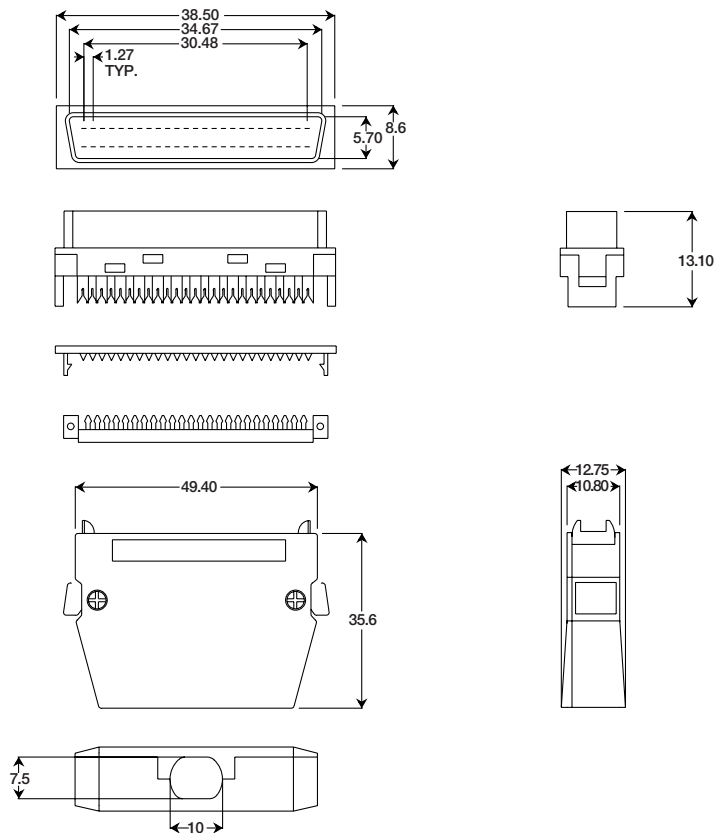
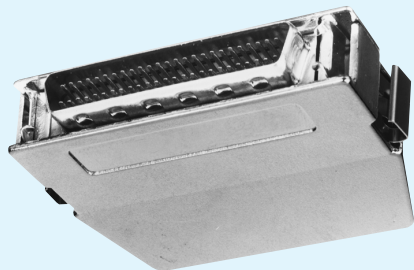
Specifications subject to change without notice. Dimensions in mm.



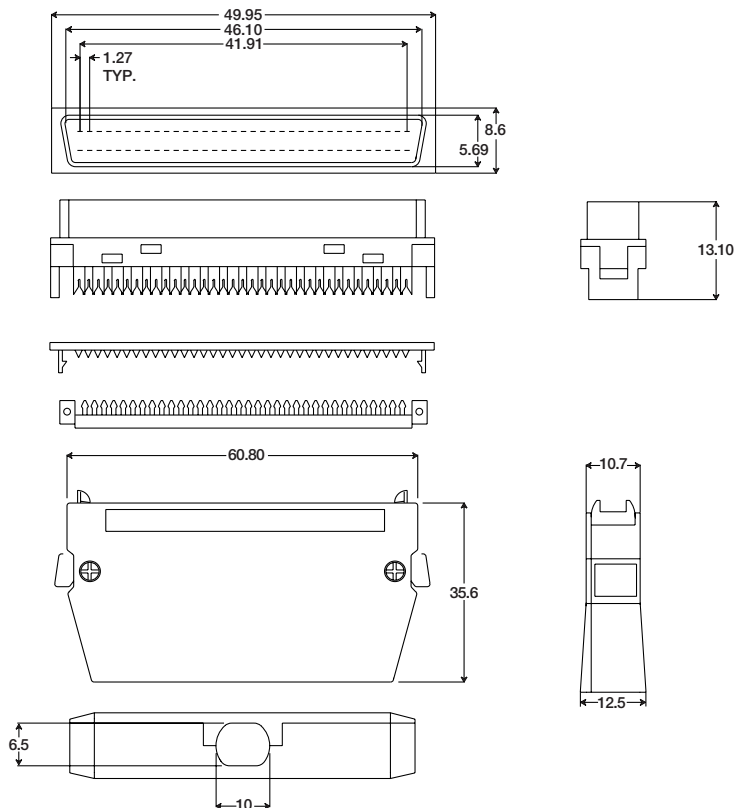
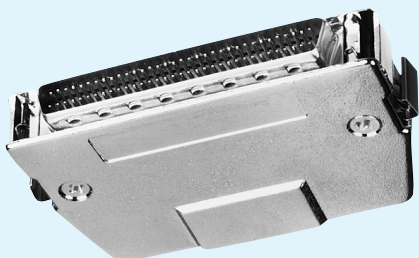
145 Algonquin Parkway, Whippany, NJ 07981 • 973-560-0019 • FAX: 973-560-0076
 e-mail: sales@powerdynamics.com • www.powerdynamics.com

I.D.C. (Discrete Wire)

PDI-50SVS-I-N



PDI-68SVS-I-N



Specifications subject to change without notice. Dimensions in mm.
 Custom molded cables also available. See page 290.

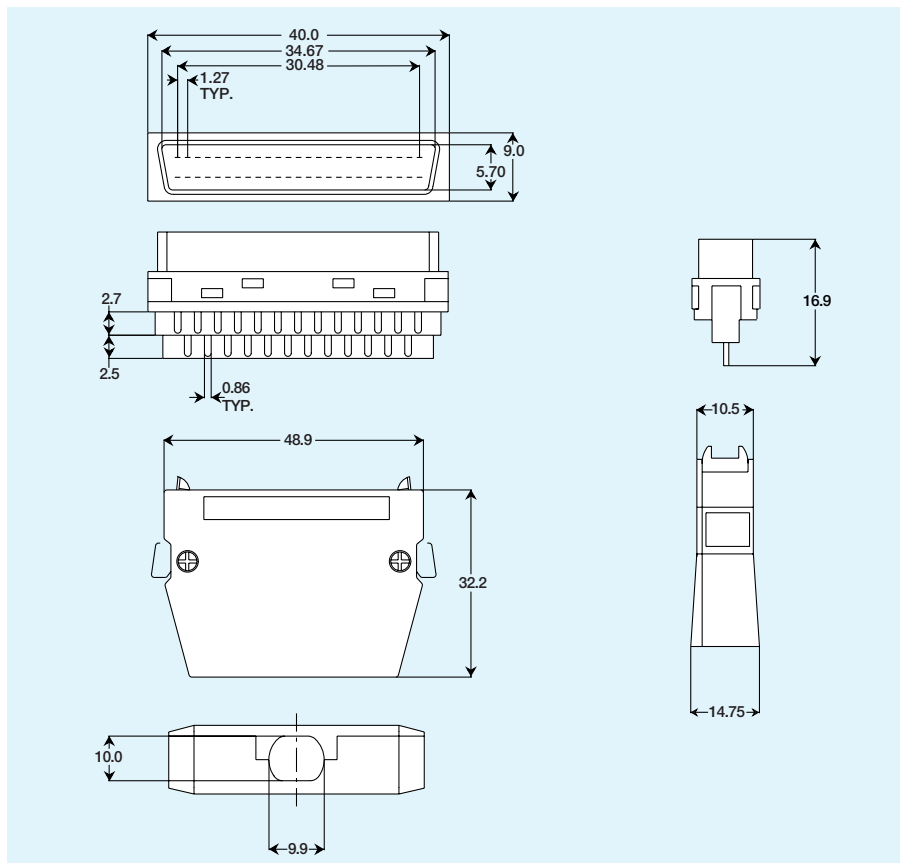
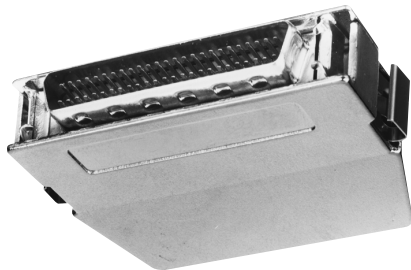
145 Algonquin Parkway, Whippany, NJ 07981 • 973-560-0019 • FAX: 973-560-0076
 e-mail: sales@powerdynamics.com • www.powerdynamics.com



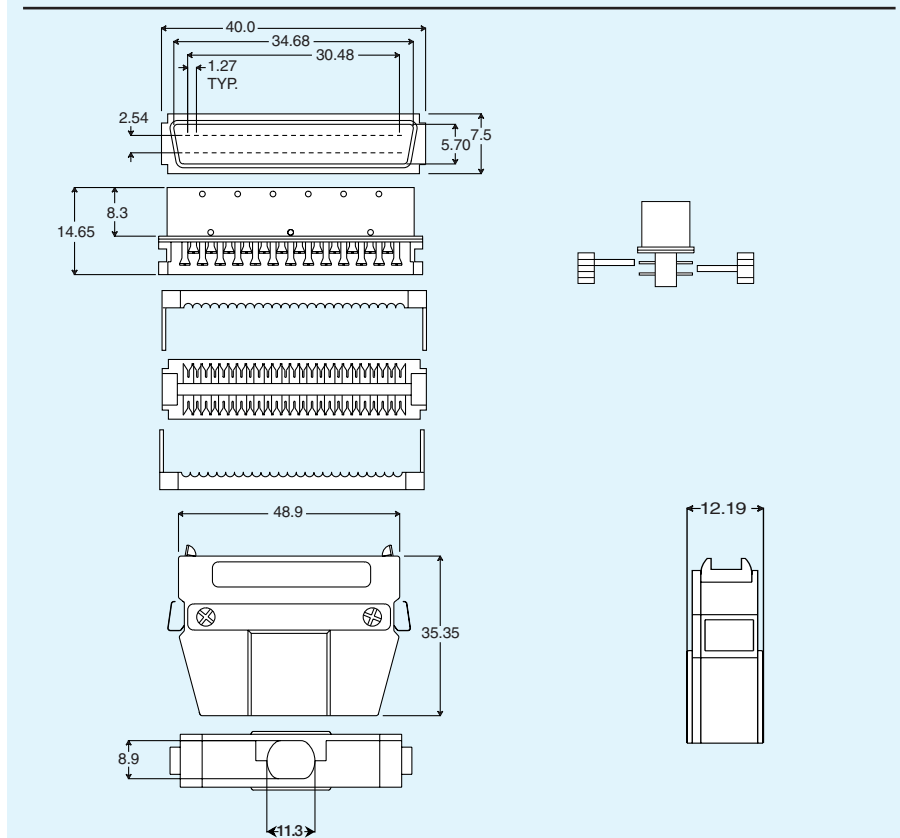
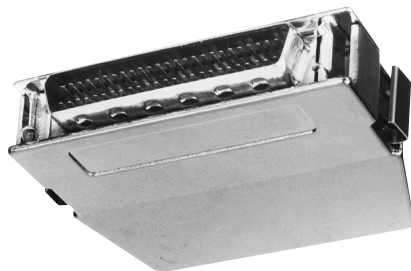
Solder / Automated Assembly



PDI-50SVS-S-N



PDI-50SVS-G-N



Specifications subject to change without notice. Dimensions in mm.
 Custom molded cables also available. See page 290.



145 Algonquin Parkway, Whippany, NJ 07981 • 973-560-0019 • FAX: 973-560-0076
 e-mail: sales@powerdynamics.com • www.powerdynamics.com