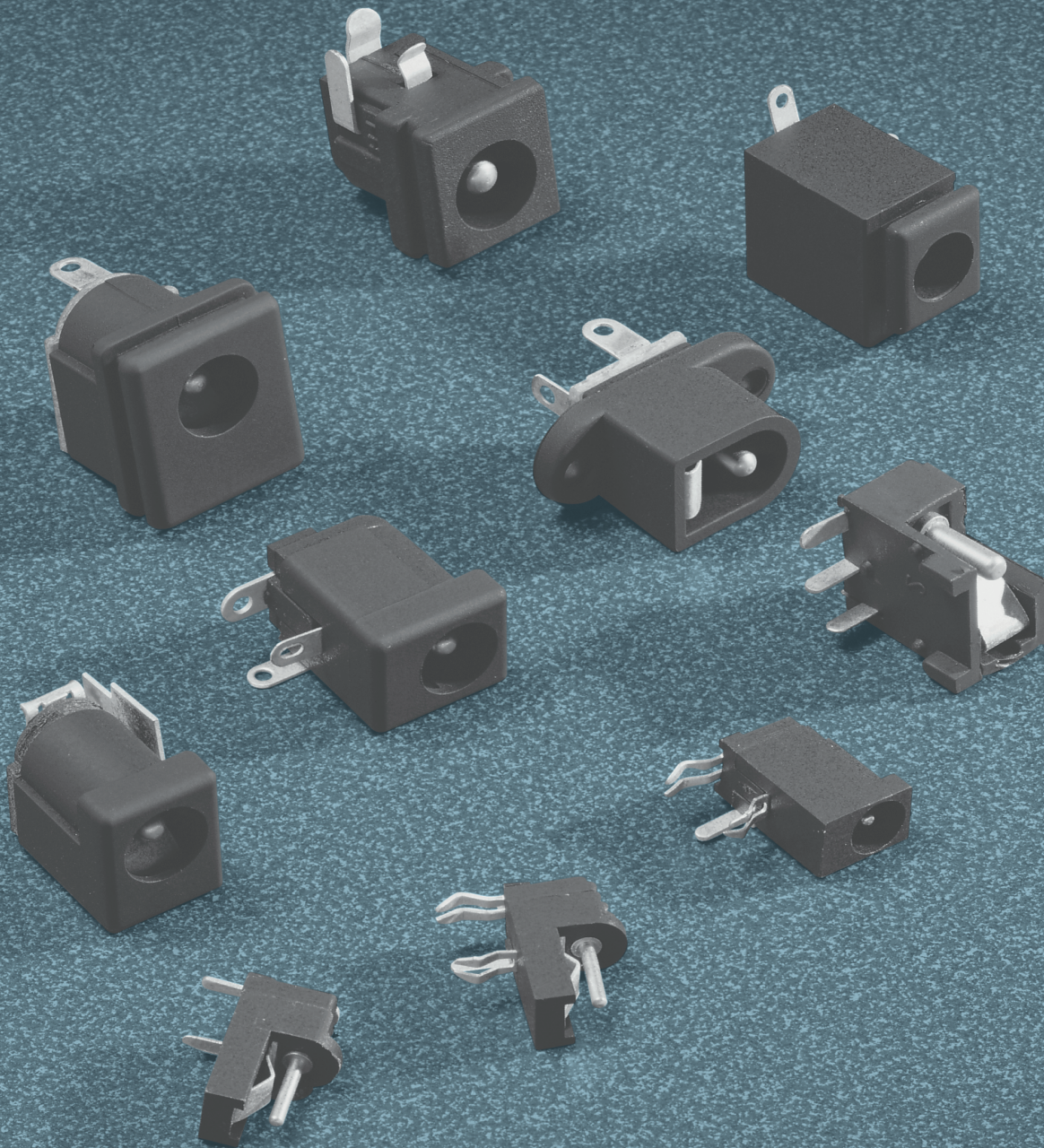


# D.C. POWER JACKS



*Power Dynamics D.C. Power Jacks have a wide variety of body styles and mounting configurations with a large selection of pin diameters. Open and closed frames are available.*

**PDI**<sup>®</sup>  
Power Dynamics, Inc.

# SPECIFICATIONS

**MATERIAL AND FINISH:**

**Housings:**

Body: Steel  
Material: A.B.S., P.C., P.O.M.

**Contacts:**

Pin: Steel  
Material: Steel  
Plating: 30µm Silver over 30µm Nickel

**Terminals:**

Material: Copper  
Plating: 30µm Silver over 30µm Nickel

**MECHANICAL SPECIFICATIONS:**

Jack shall withstand 5,000 cycles of insertion and withdrawal with testing plug and contact resistance shall not exceed 70 milliohm



**ELECTRICAL SPECIFICATIONS:**

**Rated Current:** 1A

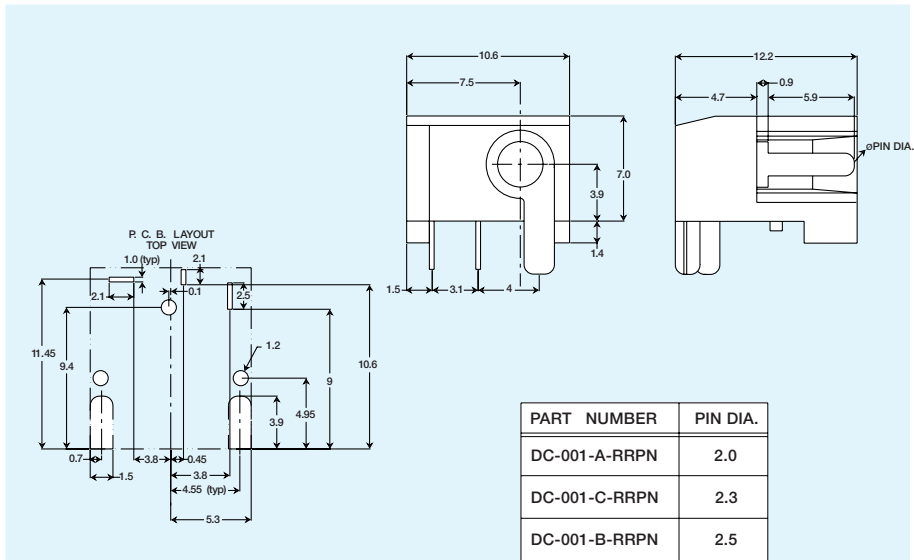
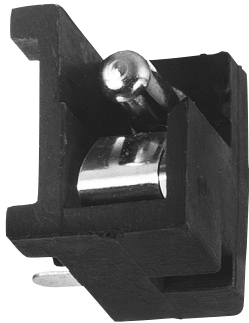
**Rated Voltage:** 12 VDC

**Insulator Resistance:** 50 Megaohm min. @ 500 VDC

**Insulation Withstanding Strength:** 250 VAC for 1 minute

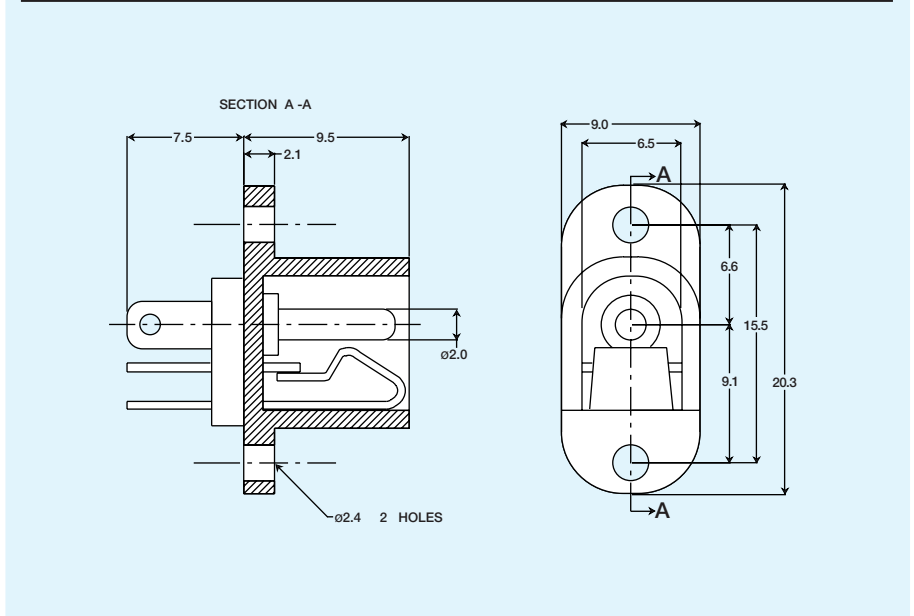
**Contact Resistance:** 30 milliohm max.

**DC-001-X-RRPN**



X = Pin Diameter

**DC-001-A-CVSH**

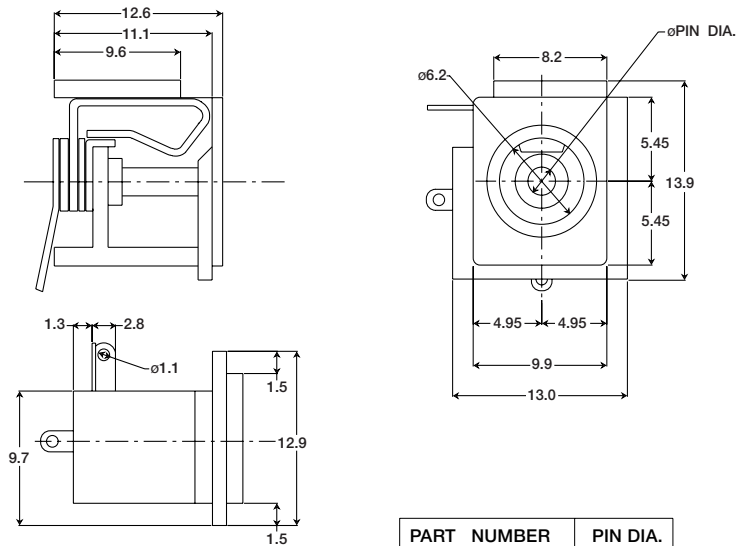
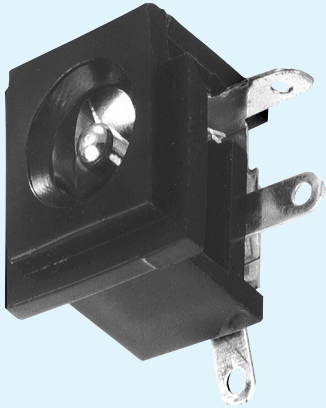


Specifications subject to change without notice. Dimensions in mm.



145 Algonquin Parkway, Whippany, NJ 07981 • 973-560-0019 • FAX: 973-560-0076  
e-mail: sales@powerdynamics.com • [www.powerdynamics.com](http://www.powerdynamics.com)

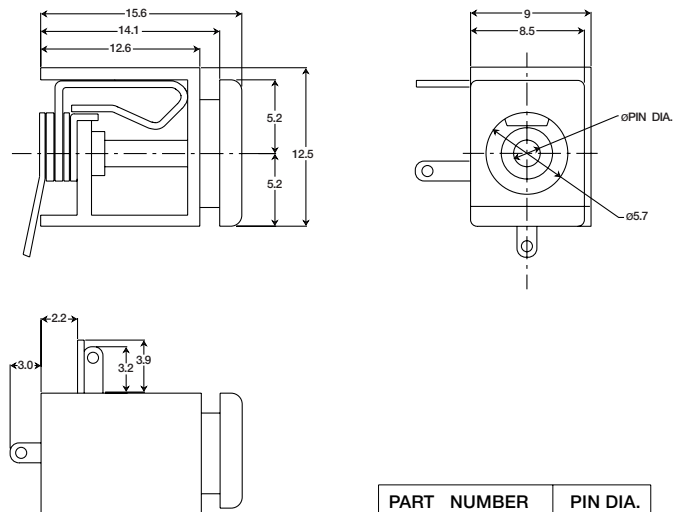
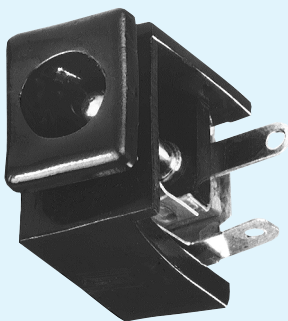
DC-001-X-CRSF



PART NUMBER	PIN DIA.
DC-001-A-CRSF	2.0
DC-001-C-CRSF	2.3
DC-001-B-CRSF	2.5

X = Pin Diameter

DC-001-X-CRSS

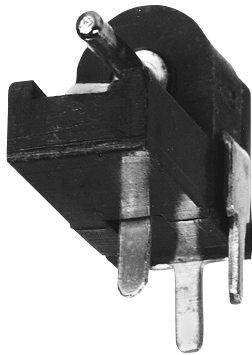


PART NUMBER	PIN DIA.
DC-001-A-CRSS	2.0
DC-001-C-CRSS	2.3
DC-001-B-CRSS	2.5

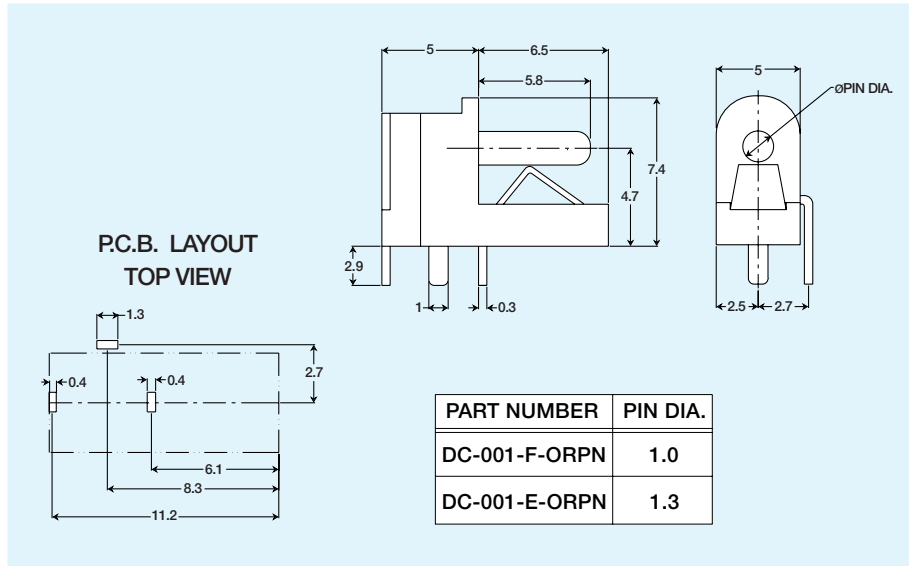
X = Pin Diameter

Specifications subject to change without notice. Dimensions in mm.

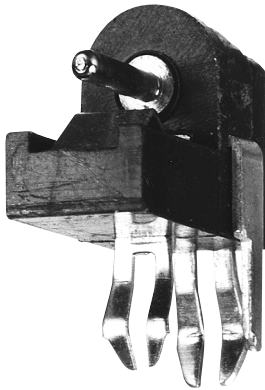
## DC-001-X-ORPN



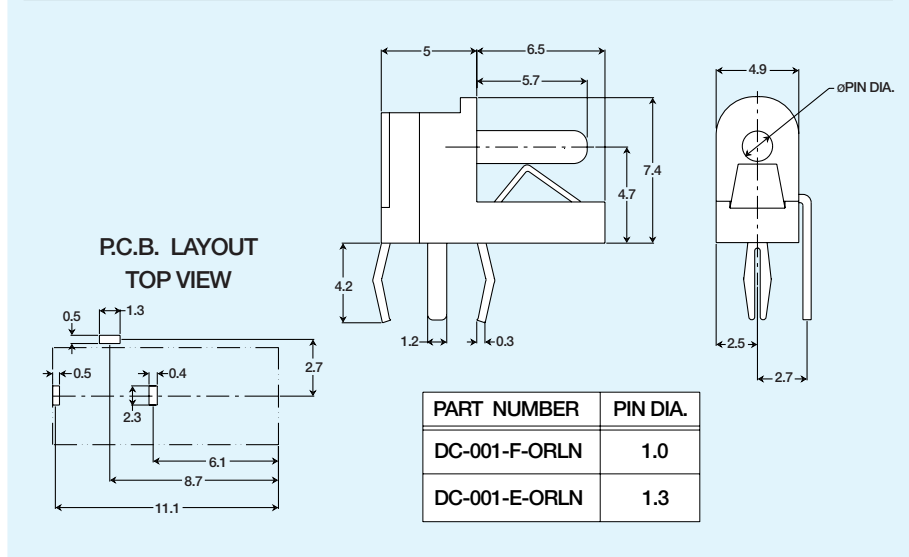
X = Pin Diameter



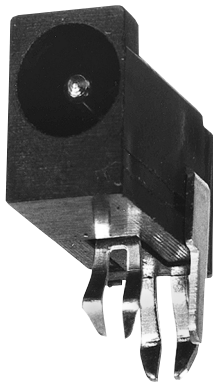
## DC-001-X-ORLN



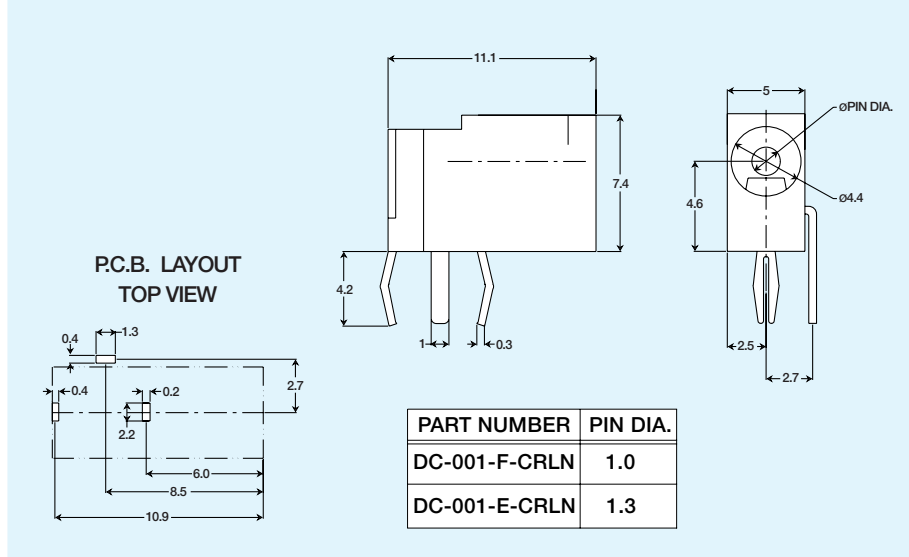
X = Pin Diameter



## DC-001-X-CRLN



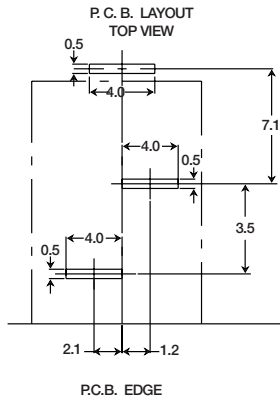
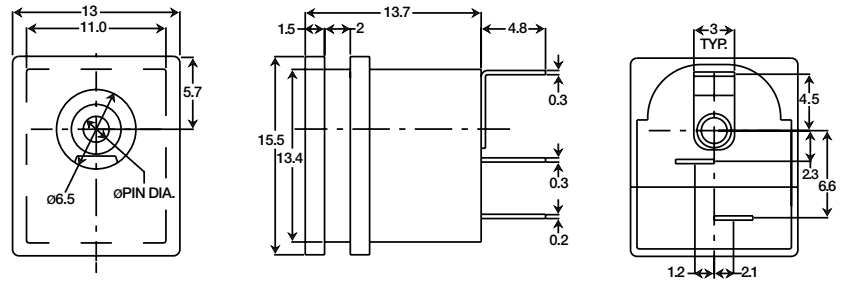
X = Pin Diameter



Specifications subject to change without notice. Dimensions in mm.



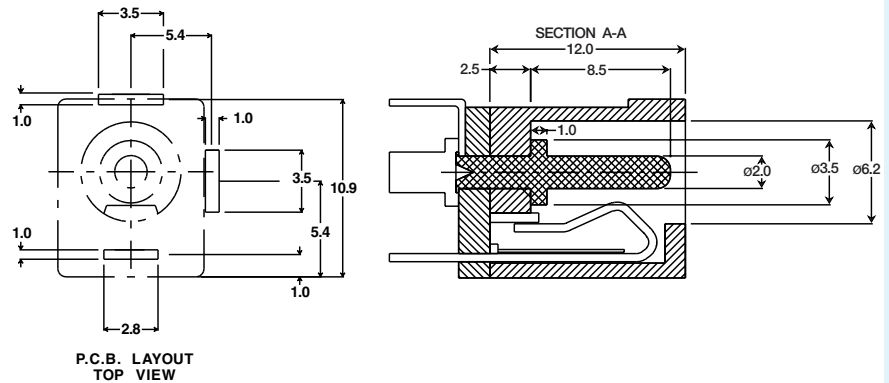
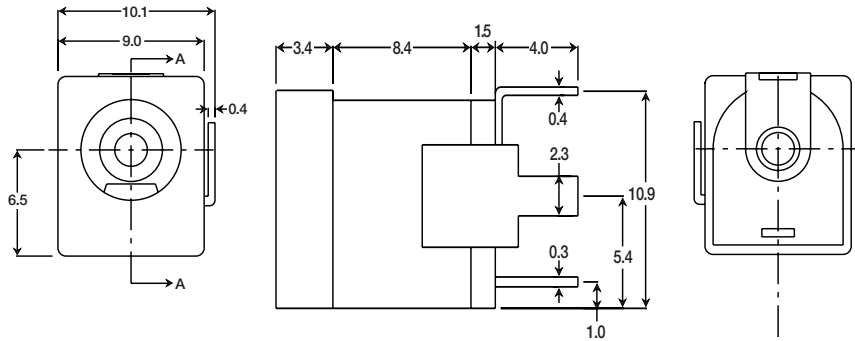
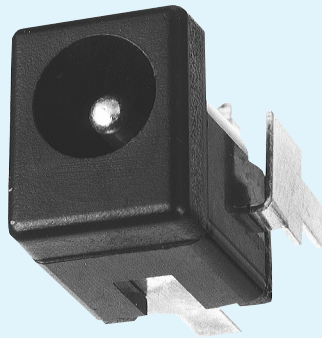
DC-001-X-CVSS



PART NUMBER	PIN DIA.
DC-001-A-CVSS	2.0
DC-001-B-CVSS	2.5

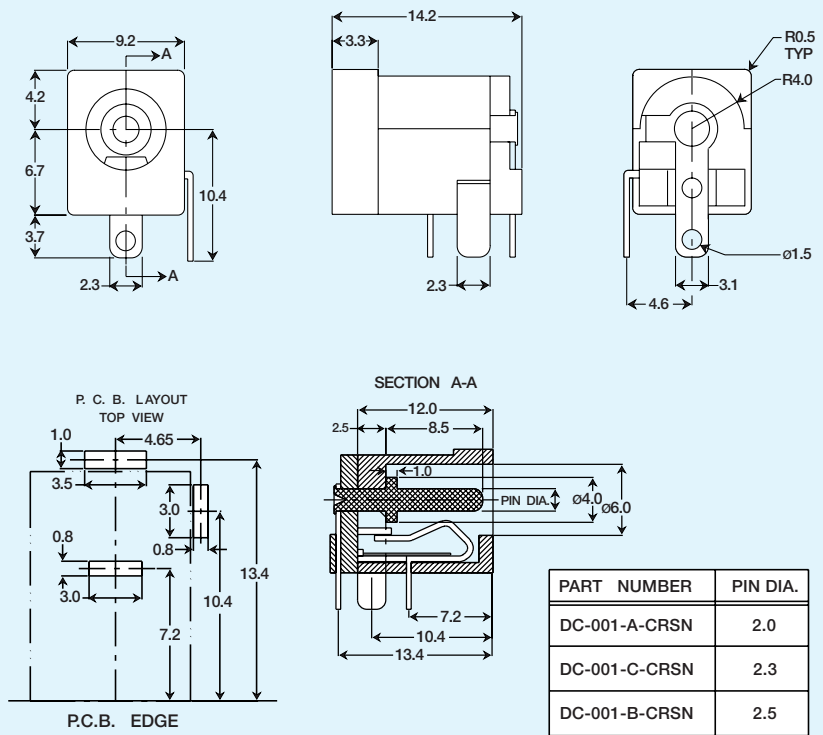
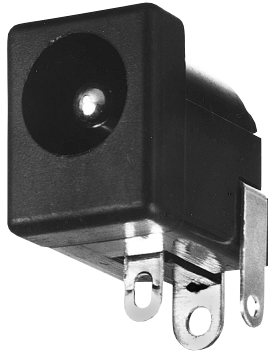
X = Pin Diameter

DC-001-A-CVSN



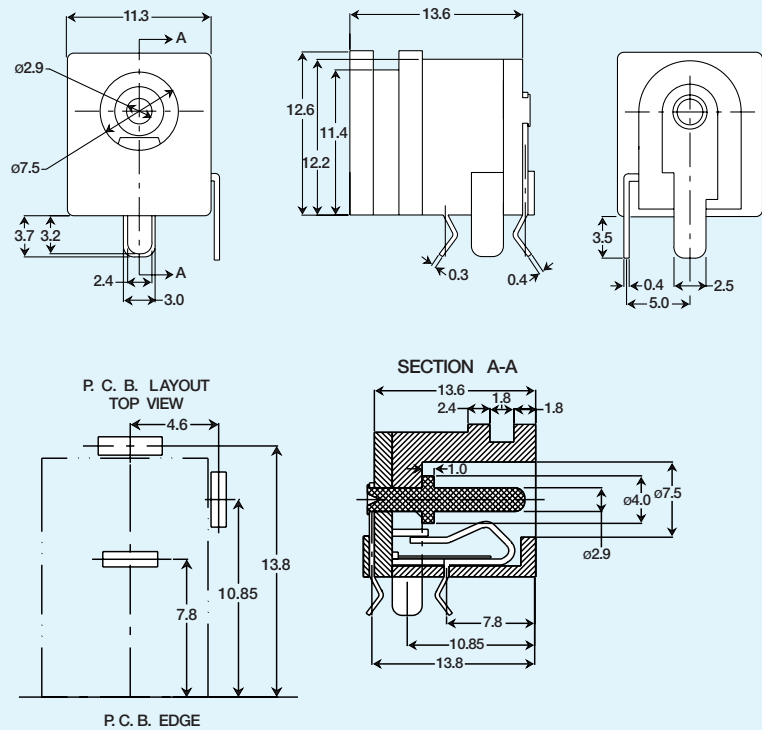
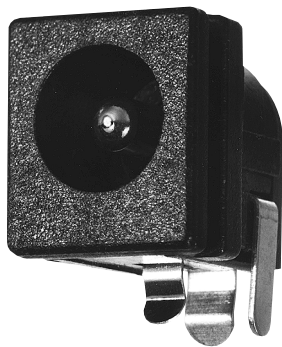
Specifications subject to change without notice. Dimensions in mm.

## DC-001-X-CRSN



X = Pin Diameter

## DC-001-G-CRPN



Specifications subject to change without notice. Dimensions in mm.



145 Algonquin Parkway, Whippany, NJ 07981 • 973-560-0019 • FAX: 973-560-0076  
 e-mail: sales@powerdynamics.com • [www.powerdynamics.com](http://www.powerdynamics.com)