

6

5

4

3

2

1

MATERIAL AND FINISH:

Insulator: Nylon 66, black, UL-94V-2 Rated

Contacts: Bronze, Nickel plated

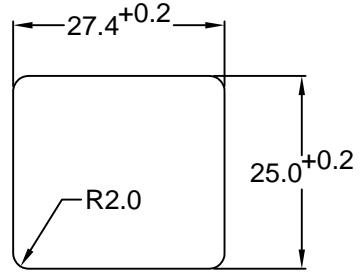
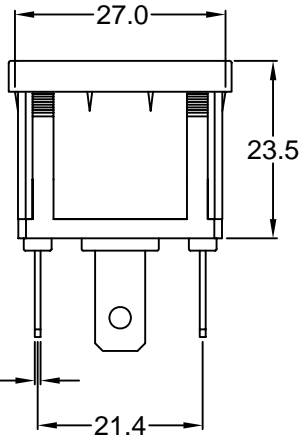
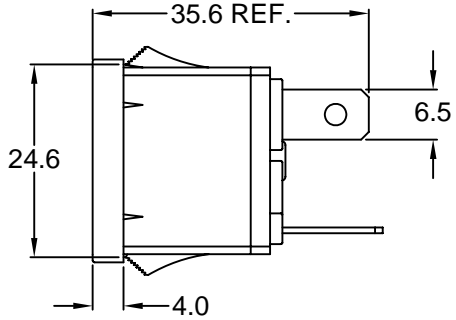
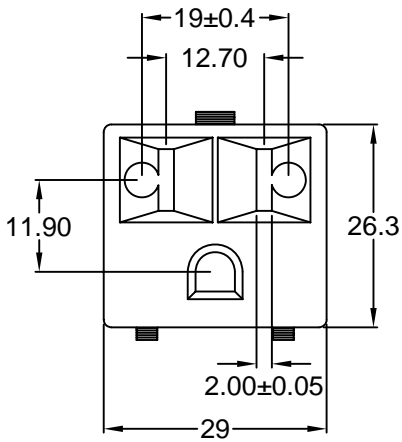
ELECTRICAL SPECIFICATIONS:

Rated current: 10A/15A, 250VAC

Insulation resistance: 100 Mohm min. at 500VDC

Dielectric withstanding voltage: 2000VAC for one minute

RoHS
COMPLIANT



RECOMMENDED
PANEL CUTOUT
PANEL THICKNESS: 0.8 mm
MIN. TO 2.2 mm MAX.

REVISIONS
CHANGE
CHKG
CHKD
APPR
REV
DATE

TOLERANCE UNLESS OTHERWISE SPECIFIED		
X	±	1
X.X	±	0.4
X.XX	±	0.20
DRAWN BY	GQ	DATE: 10/31/01
CHECK BY	TD	DATE: 11/05/01
APPR BY	PB	DATE: 11/05/01

Power Dynamics, Inc.		
Phone: 973 560-0019 Whippany, New Jersey Fax: 973 560-0076		
PART: SOUTH AMERICAN RECEPTACLE 10A/15A 250VAC		
PD-16X		SHEET 1 of 1
SIZE: A	ALL DIMENSIONS FOR REFERENCE ONLY DIMENSIONS ARE IN MILLIMETERS	REV:
SCALE: NTS		

6

5

4

3

2

1