

6

5

4

3

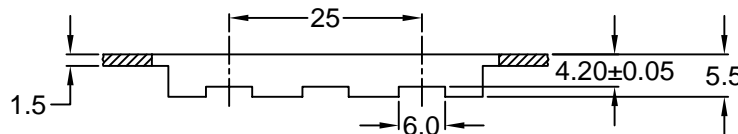
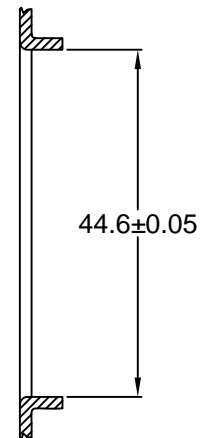
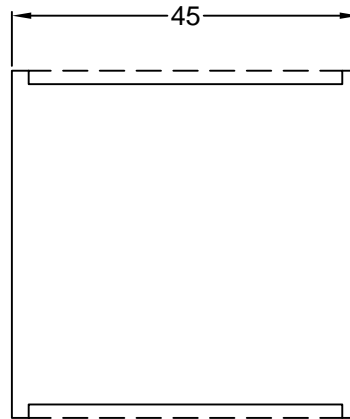
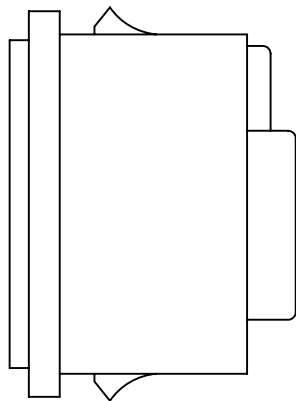
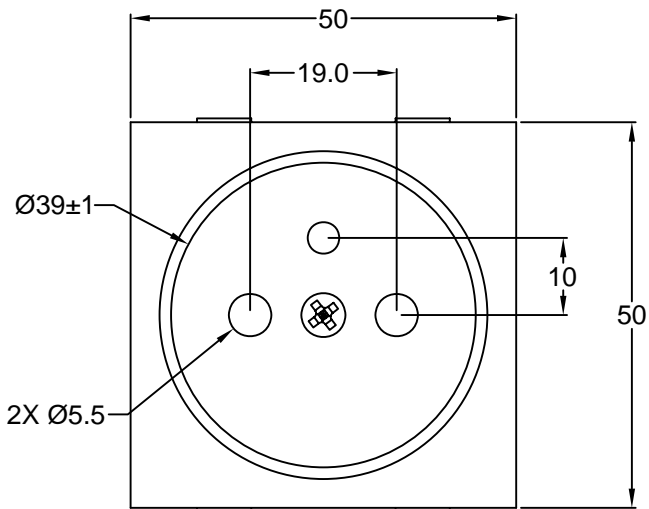
2

1

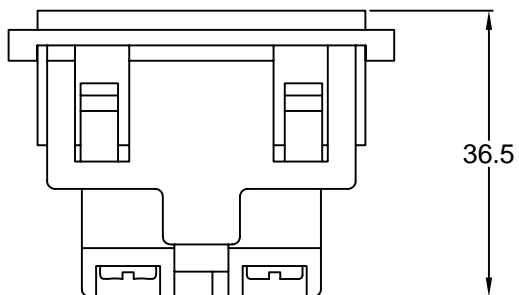
**MATERIAL AND FINISH:**  
 Insulator: Nylon 66, UL-94V-0 rated  
 Contacts: Brass, Nickel plated

**RoHS  
 COMPLIANT**

**ELECTRICAL SPECIFICATIONS:**  
 Rated current: 10A~16A  
 Rated voltage: 250VAC  
 Insulation resistance: 100 Mohm min. at 500VDC  
 Dielectric withstanding voltage: 2000VAC for one minute



**RECOMMENDED  
 PANEL CUTOUT**



REVISIONS	CHNG	CHECK	APPR
	DATE	RELEASED	DATE
	10/10/00		
	REV	DATE	RELEASED

TOLERANCE UNLESS OTHERWISE SPECIFIED	
X	± 1
X.X	± 0.4
X.XX	± 0.20
DRAWN BY	TD
DATE:	06/09/99
CHECK BY	PAD
DATE:	06/09/99
APPR BY	SS
DATE:	06/09/99

<b>Power Dynamics, Inc.</b>	
Phone: 973 560-0019 Whippany, New Jersey Fax: 973 560-0076	
PART: CEE7-VII FRANCE/BELGIUM RECEPTACLE 10A~16A 250VAC	
<b>PD-16F</b>	
SIZE: A	ALL DIMENSIONS FOR REFERENCE ONLY DIMENSIONS ARE IN MILLIMETERS
SCALE: NTS	REV: -
SHEET 1 of 1	

6

5

4

3

2

1