

6

5

4

3

2

1

MATERIAL AND FINISH:

Insulator: PBT, glass fiber, black, UL-94V-0

Contacts: Copper Alloy

ELECTRICAL SPECIFICATIONS:

Rated current: 2.5A

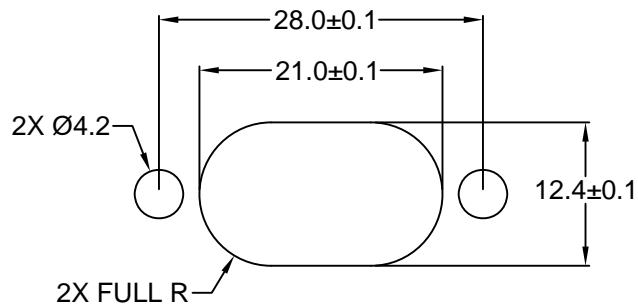
Rated voltage: 250VAC



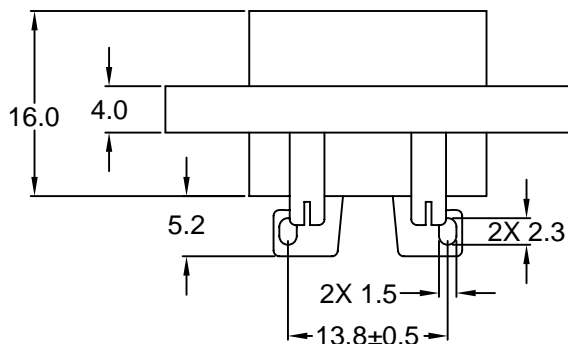
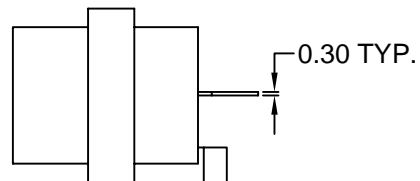
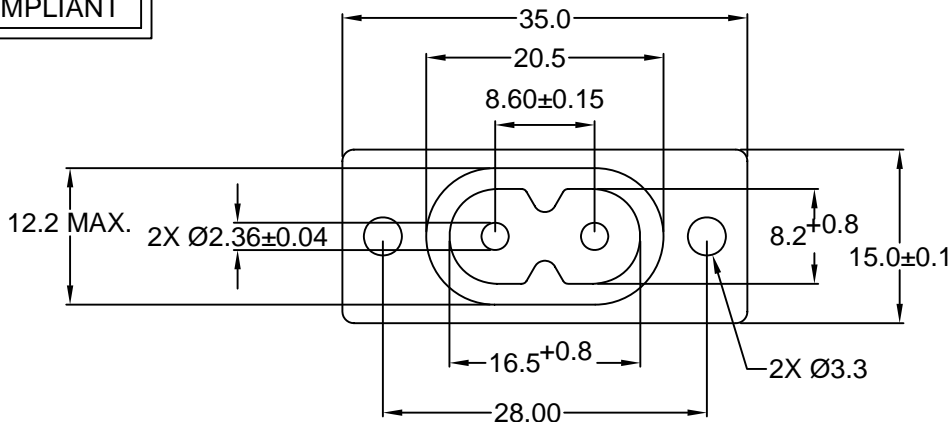
Insulation resistance: 100 Mohm min. @ 500VDC

Dielectric withstanding voltage: 2000VAC for one minute

RoHS
COMPLIANT



RECOMMENDED
PANEL CUTOUT



REVISIONS
CHANGE
DATE
REV
CHNG
CHK
APPR

TOLERANCE UNLESS OTHERWISE SPECIFIED		
X ± 1		
X.X ± 0.4		
X.XX ± 0.20		
DRAWN BY	GQ	DATE: 11/07/01
CHECK BY	TD	DATE: 11/08/01
APPR BY	PB	DATE: 11/08/01

Power Dynamics, Inc.

Phone: 973 560-0019 Whippany, New Jersey Fax: 973 560-0076

PART: MINIATURE IEC 60320 C8 APPL. INLET;
FLANGE MOUNT, SOLDER TERMINALS

PART #: PD-42R51-1122		SHEET 1 of 1
SIZE: A	ALL DIMENSIONS FOR REFERENCE ONLY DIMENSIONS ARE IN MILLIMETERS	REV:
SCALE: NTS		

6

5

4

3

2

1