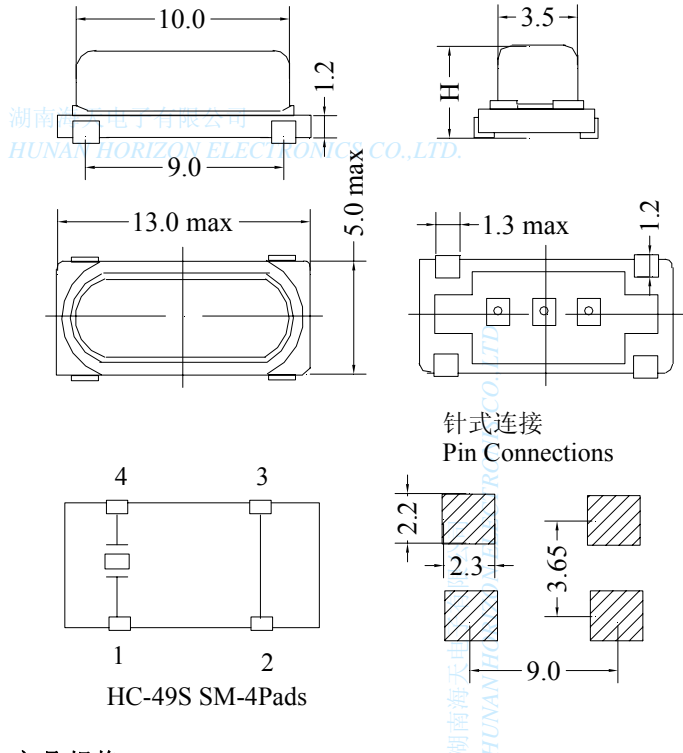


晶体谐振器 Crystals Resonators Unit
 产品型号 HEX16 - HC-49S SM-4 Pads

外形尺寸(单位:毫米)

Figure and Dimensions(Unit: mm)



产品特征 Features

- 频率宽 Wide Frequency Range
- 精度高 High Precision Availability
- 可靠性高 High Reliability

“H” 尺寸表格 \ 单位: 毫米
 “H” Dimension Table \ Unit: mm

	Option	
HEX16	H ₁	H ₂
	4.5	5.0

产品规格 Specification

电性能参数 Parameter		规格 Specification			
频率范围 Frequency Range		3.200~100.000 MHz			
振动模式 Mode of Oscillation	基频 Fundamental	3.200~40.000 MHz			
	三次泛音 3 rd Overtone	24.000~100.000 MHz			
工作温度 Operating Temperature		0℃~70℃ (See Options)			
储存温度 Storage Temperature		-40℃~85℃			
调整频差 Frequency Tolerance @ 25℃		±10 ppm~±50 ppm max			
温度频差 Temperature Tolerance		±50ppm max (See Options) ±100ppm max. @ -10℃~60℃(FB)			
静态电容 Shunt Capacitance C ₀		7.0 pf max			
负载电容 Load Capacitance C _L		6 pf~ Series (Customer Specified)			
激励电平 Drive Level		100 uW Typical (1mW max)			
老化率 Ageing @ 25℃ Per Year		±3 ppm~±5ppm			
绝缘电阻 Insulation Resistance		500MΩ min .at 100V _{DC} ±15V			
等效电阻和振动模式 Equivalent Series Resistance(ESR) and Mode of Oscillation(Mode)					
频率范围 MHz	等效电阻 Ω	振动模式	频率范围 MHz	等效电阻 Ω	振动模式
Freq.Range	Max ESR	Mode	Freq.Range	Max ESR	Mode
3.200~3.579	250	Fund.	7.000~9.999	60	Fund.
3.580~3.999	150	Fund.	10.000~13.999	50	Fund.
4.000~4.999	120	Fund.	14.000~40.000	40	Fund.
5.000~5.999	100	Fund.	24.000~34.999	70	3 rd
6.000~6.999	80	Fund.	35.000~100.000	80	3 rd

订购须知 Order Information

HEX16-Frequency-C_L-ESR-Mode-Freq.Tol-Temp.Range-Stability-Packaging-Option

HEX16	产品系列 Product Family HC-49S SM -4Pads
Frequency	频率 Frequency(MHz)
C_L	负载 Load Capacitance or Series (pf)
ESR	等效电阻 (ESR) Equivalent Series Resistance \ R (Ω)
Mode	振动模式 Mode of Oscillation
	<ul style="list-style-type: none"> ■ F for fund AT ■ FB for fund BT ■ 3OT for 3rd overtone ■ X for custom value
Freq.Tol	调整频差 Frequency Tolerance @ 25°C
	<ul style="list-style-type: none"> ■ H₁ for±10 ppm max ■ H₂ for±30ppm max ■ H₃ for±50ppm max ■ X for custom value
Temp.Range	工作温度 Operating Temperature
	<ul style="list-style-type: none"> ■ T₀ for-10°C~60°C ■ T₁ for 0°C~70°C ■ T₂ for -20°C~70°C ■ T₃ for -40°C~85°C ■ X for custom value
Stability	温度频差 Temperature Tolerance
	<ul style="list-style-type: none"> ■ W₁ for±10 ppm max ■ W₂ for±30ppm max ■ W₃ for±50ppm max ■ X for custom value
Packaging	包装 Packaging
	<ul style="list-style-type: none"> ■ T for Tape & Reel ■ B for Bulk
Option	选型 Option
	<ul style="list-style-type: none"> ■ H₁=4.5 mm \ H₂=5.0 mm

订购举例: Example : HEX16-12.000MHz-18-40R-F-H₂-T₂-W₂-B- H₁

HEX16	产品系列 ProductFamily HC-49S SM-4Pads
12.000MHz	频率 Frequency \ f ₀ =12.000MHz
18	负载 Load Capacitance \ C _L =18 pf
40R	等效电阻 Equivalent Series Resistance (ESR) \ R=40 Ω
F	AT 基频 Fundamental \ 切角 AT-cut F= AT Fund.
H₂	调整频差 Frequency Tolerance \ H ₂ =±30 ppm
T₂	工作温度 Operating Temperature \ T ₂ =-20°C~70°C
W₂	温度频差 Temperature Tolerance\ W ₂ =±30 ppm
B	包装 Packaging for Bulk
H₁	选型 Option\ H ₁ =4.5 mm

[Http:// www.horizonxtal.com](http://www.horizonxtal.com)

国际贸易 Horizon International Marketing

国内贸易 Horizon Domestic Marketing

E-mail: horizoncrystals@163.net

E-mail:hqq226@163.net

Fax: 0086 731 8442 2043

Fax: 0086 731 8805 0850

Tel: 0086 731 8442 3897 / 8222 4572

Tel: 0086 731 8805 0851 / 8805 0780