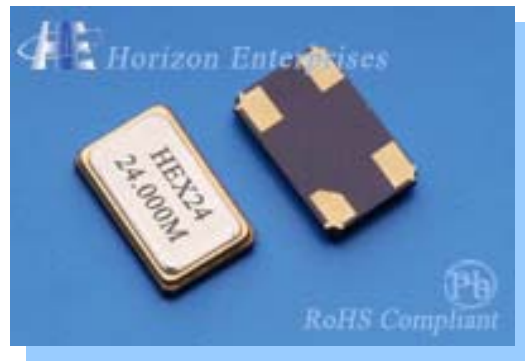
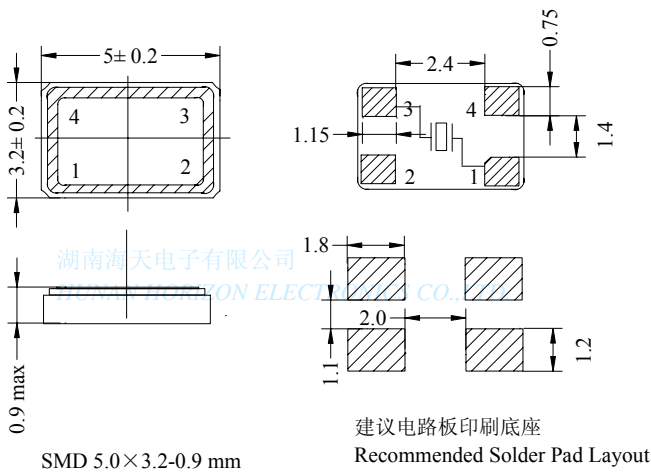


晶体谐振器 Crystals Resonators Unit
 产品型号 HEX24 – SMD 5×3.2-0.9mm

外形尺寸(单位:毫米)
 Figure and Dimensions(Unit: mm)



- 产品特征 Features
- 频率宽 Wide Frequency Range
 - 精度高 High Precision Availability
 - 可靠性强 High Reliability
 - 质量好、体积小 High Quality , Space Saving
 - 公差小、稳定性高 Tight Tolerance and Stability Available

产品规格 Specification

| 电性能参数 Parameter | 规格 Specification |
|--|--|
| 频率范围 Frequency Range | 8.000 ~150.000 MHz |
| 振动模式 Mode of Oscillation | 基频 Fund. 8.000 ~ 50.000 MHz |
| | 3 rd 40.000~150.000MHz |
| 工作温度 Operating Temperature | -10℃~60℃ to -40℃~85℃ |
| 储存温度 Storage Temperature | -40℃ ~ 85℃ \ -55℃~125℃ |
| 等效电阻 Equivalent Series Resistance (ESR) | Fund. 100Ωmax for 8.000~10.000 MHz |
| | Fund. 80Ωmax for 10.000~12.000MHz |
| | Fund. 60Ωmax for 12.000~20.000MHz |
| | Fund. 40Ωmax for 20.000~50.000MHz |
| | 3 rd 80Ωmax for 40.000~150.000MHz |
| 调整频差 Frequency Tolerance @ 25℃ | ±10 ppm ~ ±100 ppm (See Options) |
| 温度频差 Temperature Tolerance | ±10 ppm ~ ±100 ppm (See Options) |
| 静态电容 Shunt Capacitance C ₀ | 7.0 pf max |
| 负载电容 Load Capacitance C _L | 6 pf ~ Series (Customer Specified) |
| 激励电平 Drive Level | 100mW,100 uW Typical |
| 老化率 Ageing @ 25℃ Per Year | ±5ppm max |
| 绝缘电阻 Insulation Resistance | 500MΩ min .at 100V _{DC} ±15V |
| 回流焊接条件 Reflow Conditions | 260℃±10℃ for 10sec max 2 reflows max |

订购须知 Order Information

HEX24-Frequency-C_L-ESR-Mode-Freq.Tol.-Temp.Range-Stability-Packaging

| | |
|----------------------|---|
| HEX24 | 产品系列 Product Family SMD 5×3.2 -0.9mm |
| Frequency | 频率 Frequency(MHz) |
| C_L | 负载 Load Capacitance or Series (pf) |
| ESR | 等效电阻 (ESR) Equivalent Series Resistance R (Ω) |
| Mode | 振动模式 Mode of Oscillation |
| | <ul style="list-style-type: none"> ■ F for fund AT ■ 3OT for 3rd overtone |
| Freq.Tol | 调整频差 Frequency Tolerance @ 25°C |
| | <ul style="list-style-type: none"> ■ H₁ for±10 ppm max ■ H₂ for±30ppm max ■ H₃ for±50ppm max ■ X for custom value |
| Temp.Range | 工作温度 Operating Temperature |
| | <ul style="list-style-type: none"> ■ T₀ for-10°C~60°C ■ T₁ for 0°C~70°C ■ T₂ for -20°C~70°C ■ T₃ for -40°C~85°C ■ X for custom value |
| Stability | 温度频差 Temperature Tolerance |
| | <ul style="list-style-type: none"> ■ W₁ for±10 ppm max ■ W₂ for±30ppm max ■ W₃ for±50ppm max ■ X for custom value |
| Packaging | 包装 Packaging |
| | <ul style="list-style-type: none"> ■ T for Tape & Reel |

订购举例: Example : HEX24-24.000MHz-20-80R-F-H₂-T₂-W₂-T

| | |
|----------------------|---|
| HEX24 | 产品系列 SMD 5×3.2-0.9 mm |
| 24.000MHz | 频率 Frequency \ f ₀ =24.000MHz |
| 20 | 负载 Load Capacitance \ C _L =20 pf |
| 80R | 等效电阻 Equivalent Series Resistance (ESR) \ R=80 Ω |
| F | AT基频 Fundamental \ 切角 AT-cut F= AT Fund. |
| H₂ | 调整频差 Frequency Tolerance \ H ₂ =±30 ppm |
| T₂ | 工作温度 Operating Temperature \ T ₂ =-20°C~70°C |
| W₂ | 温度频差 Temperature Tolerance \ W ₂ =±30 ppm |
| T | 包装 Packaging for Tape & Reel |

[Http:// www.horizonxtal.com](http://www.horizonxtal.com)

国际贸易 Horizon International Marketing

国内贸易 Horizon Domestic Marketing

E-mail: horizoncrystals@163.net

E-mail:hqq226@163.net

Fax: 0086 731 8442 2043

Fax: 0086 731 8805 0850

Tel: 0086 731 8442 3897 / 8222 4572

Tel: 0086 731 8805 0851 / 8805 0780